



4M Async Fast SRAM

CS18FS4096(3/5/W)
CS16FS4096(3/5/W)

Revision History

<u>Rev. No.</u>	<u>History</u>	<u>Issue Date</u>
1.0	Initial issue	Apr.15,2014



4M Async Fast SRAM

CS18FS4096(3/5/W)
CS16FS4096(3/5/W)

GENERAL DESCRIPTION

The CS16FS4096(3/5/W) and CS18FS4096(3/5/W) are a 4,194,304-bit high-speed Static Random Access Memory organized as 256K(512) words by 16(8) bits. The CS16FS4096(3/5/W) (CS18FS4096(3/5/W)) uses 16(8) common input and output lines and have an output enable pin which operates faster than address access time at read cycle, And CS16FS4096(3/5/W) allows that lower and upper byte access by data byte control(\overline{UB} , \overline{LB}). The device is fabricated using advanced CMOS process, 6-TR based cell technology and designed for high-speed circuit technology. It is particularly well suited for use in high-density high-speed system applications. The CS16FS4096(3/5/W) is packaged in a 400mil 44-pin TSOP2 and 48FBGA. The CS18FS4096(3/5/W) is packaged in a 400mil 44-pin TSOP2 and 36FBGA.

FEATURES

- Fast Access Time 8,10,12,15ns(Max)
- CMOS Low Power Dissipation
Standby (TTL): 10mA (Max.)
(CMOS): 6mA (Max.)
Operating: 35mA (8ns, Max..)
 : 30mA(10ns ,Max.)
- Single 3.3±0.3V or 5.0±0.5V Power Supply
- Wide range (1.65V~3.6V) of Power Supply
- TTL Compatible inputs and Outputs
- Fully Static Operation, No Clock or Refresh required
- Three State Outputs
- Data Byte Control(x16 Mode)
 \overline{LB} : I/O₀~I/O₇, \overline{UB} : I/O₈~I/O₁₅
- Standard 44TSOP2 and 36FBGA Package Pin Configuration for 512k x 8
- Standard 44TSOP2 and 48FBGA Package Pin Configuration for 256k x 16
- Operating in Commercial and Industrial Temperature range.



4M Async Fast SRAM

CS18FS4096(3/5/W)
CS16FS4096(3/5/W)

Order Information

Density	Org.	Part Number	Speed			Package	Temp.
			V _{CC} (V)	t _{AA} (ns)	t _{OE} (ns)		
4Mb	256Kx16	CS16FS40963GC(I)-08	3.3	8	4	44 TSOP2	C : Commercial I : Industrial
		CS16FS4096WGC(I)-08	3.3	8	4	44 TSOP2	
		CS16FS4096WGC(I)-10	2.5	10	5	44 TSOP2	
		CS16FS4096WGC(I)-12	1.8	12	6	44 TSOP2	
		CS16FS40963HC(I)-08	3.3	8	4	48 FBGA	
		CS16FS4096WHC(I)-08	3.3	8	4	48 FBGA	
		CS16FS4096WHC(I)-10	2.5	10	5	48 FBGA	
		CS16FS4096WHC(I)-12	1.8	12	6	48 FBGA	
		CS16FS40965GC(I)-10	5	10	5	44 TSOP2	
		CS16FS40963GC(I)-10	3.3	10	5	44 TSOP2	
		CS16FS4096WGC(I)-10	3.3	10	5	44 TSOP2	
		CS16FS4096WGC(I)-10	2.5	10	5	44 TSOP2	
		CS16FS4096WGC(I)-15	1.8	15	7	44 TSOP2	
		CS16FS40963HC(I)-10	3.3	10	5	48 FBGA	
		CS16FS4096WHC(I)-10	3.3	10	5	48 FBGA	
		CS16FS4096WHC(I)-10	2.5	10	5	48 FBGA	
		CS16FS4096WHC(I)-15	1.8	15	7	48 FBGA	

Density	Org.	Part Number	Speed			Package	Temp.
			V _{CC} (V)	t _{AA} (ns)	t _{OE} (ns)		
4Mb	512Kx8	CS18FS40963GC(I)-08	3.3	8	4	44 TSOP2	C : Commercial I : Industrial
		CS18FS4096WGC(I)-08	3.3	8	4	44 TSOP2	
		CS18FS4096WGC(I)-10	2.5	10	5	44 TSOP2	
		CS18FS4096WGC(I)-12	1.8	12	6	44 TSOP2	
		CS18FS40963YC(I)-08	3.3	8	4	36 FBGA	
		CS18FS4096WYC(I)-08	3.3	8	4	36 FBGA	
		CS18FS4096WYC(I)-10	2.5	10	5	36 FBGA	
		CS18FS4096WYC(I)-12	1.8	12	6	36 FBGA	



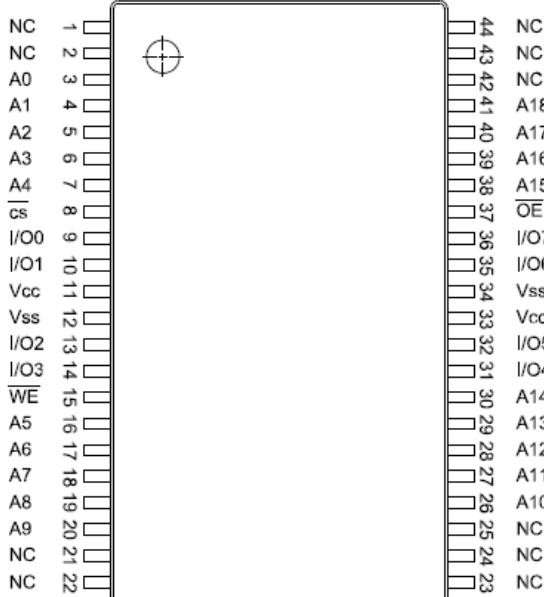
4M Async Fast SRAM

CS18FS4096(3/5/W)
CS16FS4096(3/5/W)

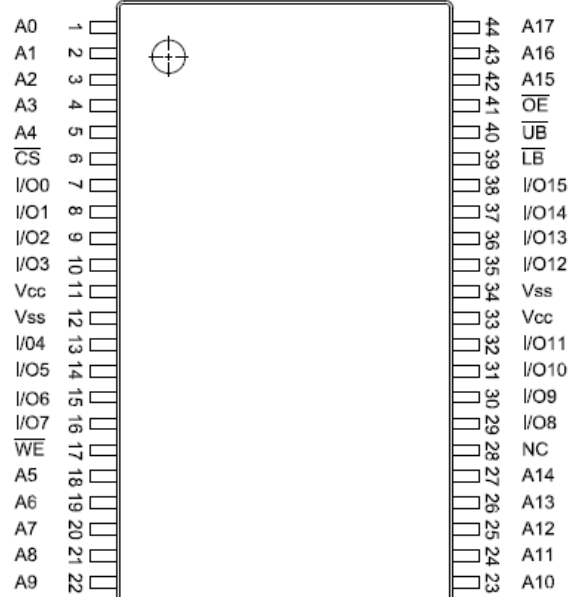
	CS18FS40965GC(I)-10	5	10	5	44 TSOP2
	CS18FS40963GC(I)-10	3.3	10	5	44 TSOP2
	CS18FS4096WGC(I)-10	3.3	10	5	44 TSOP2
	CS18FS4096WGC(I)-10	2.5	10	5	44 TSOP2
	CS18FS4096WGC(I)-15	1.8	15	7	44 TSOP2
	CS18FS40963YC(I)-10	3.3	10	5	36 FBGA
	CS18FS4096WYC(I)-10	3.3	10	5	36 FBGA
	CS18FS4096WYC(I)-10	2.5	10	5	36 FBGA
	CS18FS4096WYC(I)-15	1.8	15	7	36 FBGA

PIN CONFIGURATIONS

44TSOP2-400mil



CS18FS4096(3/5/W)- (512k x 8)



CS16FS4096(3/5/W)- (256k x 16)



4M Async Fast SRAM

CS18FS4096(3/5/W)
CS16FS4096(3/5/W)

6x8mm mini-BGA with ball pitch 0.75mm

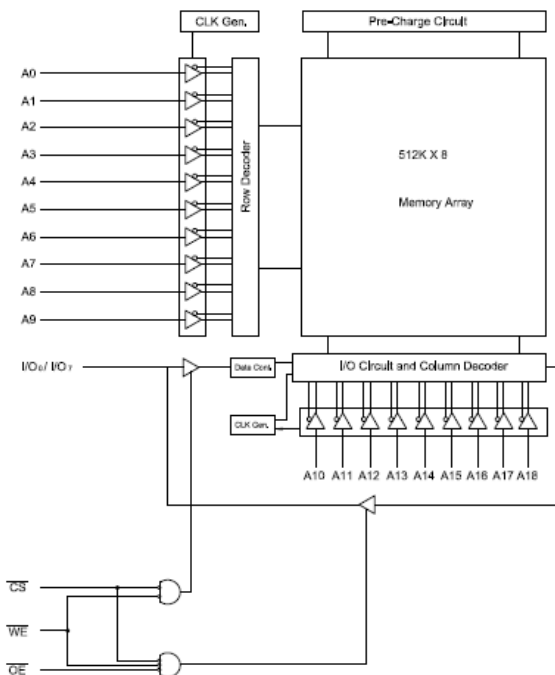
	1	2	3	4	5	6
A	A0	A1	NC	A3	A6	A8
B	IO4	A2	\overline{WE}	A4	A7	IO0
C	IO5		NC	A5		IO1
D	Vss					Vcc
E	Vcc					Vss
F	IO6		A18	A17		IO2
G	IO7	\overline{OE}	\overline{CS}	A16	A15	IO3
H	A9	A10	A11	A12	A13	A14

CS18FS4096(3/5/W) – (512k x 8)
36 ball mini-BGA

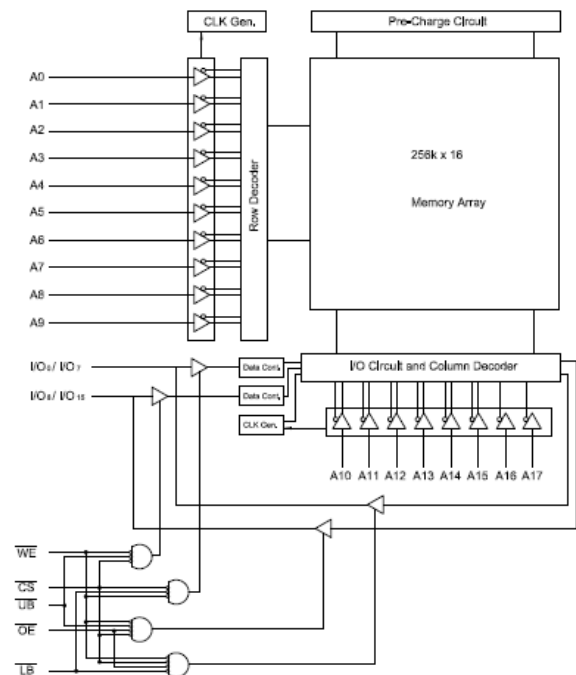
	1	2	3	4	5	6
A	\overline{LB}	\overline{OE}	A0	A1	A2	NC
B	IO8	\overline{UB}	A3	A4	\overline{CS}	IO0
C	IO9	IO10	A5	A6	IO1	IO2
D	Vss	IO11	A17	A7	IO3	Vcc
E	Vcc	IO12	NC	A16	IO4	Vss
F	IO14	IO13	A14	A15	IO5	IO6
G	IO15	NC	A12	A13	\overline{WE}	IO7
H	NC	A8	A9	A10	A11	NC

CS16FS4096(3/5/W) – (256k x 16)
48ball mini-BGA

● FUNCTIONAL BLOCK DIAGRAM



CS18FS4096(3/5/W) – (512k x 8)



CS16FS4096(3/5/W) – (256k x 16)



4M Async Fast SRAM

CS18FS4096(3/5/W)
CS16FS4096(3/5/W)

Absolute Maximum Ratings*

Parameter		Symbol	Rating	Unit
Voltage on Any Pin Relative to V _{SS}	3.3V Product	V _{in} , V _{OUT}	-0.5 to V _{CC} +0.5V	V
	5.0V Product			
	Wide V _{CC} ** Product			
Voltage on V _{CC} Supply Relative to V _{SS}	3.3V Product	V _{in} , V _{OUT}	-0.5 to 4.6	V
	5.0V Product		-0.5 to 7.0	
	Wide V _{CC} ** Product		-0.5 to 4.6	
Power Dissipation		P _D	1.0	W
Storage Temperature		T _{STG}	-65 to 150	°C
Operating Temperature Commercial		T _A	0 to 70	°C
Industrial		T _A	-40 to 85	°C

*Stresses greater than those listed under “Absolute Maximum Ratings” may cause permanent damage to the device. This is a stress rating only and functional operation of the device at these or any other conditions above those indicated in the operating sections of this specification is not implied.

Exposure to absolute maximum rating conditions for extended periods may affect reliability.

**Wide VCC Range is 1.65V~3.6V

Recommended DC Operating Conditions*(T_A=0 to 70°C)

Parameter	Operating V _{CC} (V)	Symbol	Min.	Typ.	Max.	Unit
Supply Voltage	5.0	V _{CC}	4.5	5.0	5.5	V
	3.3	V _{CC}	3.0	3.3	3.6	
	Wide 2.4~3.6	V _{CC}	2.4	2.5/3.3	3.6	
	Wide 1.65~2.2	V _{CC}	1.65	1.8	2.2	
Ground		V _{SS}	0	0	0	V
Input High Voltage	5.0	V _{IH}	2.2	-	V _{CC} +0.5	V
	3.3	V _{IH}	2.0	-	V _{CC} +0.5	
	Wide 2.4~3.6	V _{IH}	2.0	-	V _{CC} +0.3	
	Wide 1.65~2.2	V _{IH}	1.4	-	V _{CC} +0.2	
Input Low Voltage	5.0	V _{IL}	-0.3	-	0.8	V
	3.3	V _{IL}	-0.3	-	0.8	
	Wide 2.4~3.6	V _{IL}	-0.3	-	0.7	



4M Async Fast SRAM

CS18FS4096(3/5/W)
CS16FS4096(3/5/W)

	Wide 1.65~2.2	V_{IL}	-0.2	-	0.4	
--	---------------	----------	------	---	-----	--

*The above parameters are also guaranteed for industrial temperature range.

DC and Operating Characteristics*($T_A=0$ to 70°C)

Parameter	Symbol	Test Conditions	Min	Max	Unit	
Input Leakage Current	I_{LI}	$V_{IN}=V_{SS}$ to V_{CC}	-2	2	μA	
Output Leakage Current**	I_{LO}	$\overline{CS}=V_{IH}$ or $\overline{OE}=V_{IH}$ or $\overline{WE}=V_{IL}$ $V_{OUT}=V_{SS}$ to V_{CC}	-2	2	μA	
Operating Current**	I_{CC}	Min.Cycle, 100% Duty $\overline{CS}=V_{IL}$, $V_{IN}=V_{IH}$ or V_{IL} , $I_{OUT}=0\text{mA}$	8ns		35	mA
			10ns	-	30	
			12ns	-	28	
			15ns		25	
Standby Current	I_{SB}	Min. Cycle, $\overline{CS}=V_{IH}$	-	10	mA	
	I_{SB1}	$f=0\text{MHz}$, $\overline{CS} \geq V_{CC}-0.2\text{V}$ $V_{IN} \geq V_{CC}-0.2\text{V}$ or $V_{in} \leq 0.2\text{V}$	-	6		
Output Low Voltage Level	V_{OL}	$V_{CC}=4.5\text{V}$, $I_{OL}=8\text{mA}$, 5.0V Product	-	0.4	V	
		$V_{CC}=3.0\text{V}$, $I_{OL}=8\text{mA}$, 3.3V Product & Wide V_{CC} ** Product	-	0.4		
		$V_{CC}=2.4\text{V}$, $I_{OL}=1\text{mA}$, Wide V_{CC} ** Product	-	0.4		
		$V_{CC}=1.65\text{V}$, $I_{OL}=0.1\text{mA}$, Wide V_{CC} ** Product	-	0.2		
Output High Voltage Level	V_{OH}	$V_{CC}=4.5\text{V}$, $I_{OH}=-4\text{mA}$, 5.0V Product	2.4	-	V	
		$V_{CC}=3.0\text{V}$, $I_{OH}=-4\text{mA}$, 3.3V Product & Wide V_{CC} ** Product	2.4	-		
		$V_{CC}=2.4\text{V}$, $I_{OH}=-1\text{mA}$, Wide V_{CC} ** Product	1.8	-		
		$V_{CC}=1.65\text{V}$, $I_{OH}=-0.1\text{mA}$, Wide V_{CC} ** Product	1.4	-		

*The above parameters are also guarantee for industrial temperature range.

**Wide V_{CC} Range is 1.65V ~ 3.6V



4M Async Fast SRAM

CS18FS4096(3/5/W)
CS16FS4096(3/5/W)

Capacitance*($T_A = 25^\circ\text{C}$, $f = 1.0\text{MHz}$)

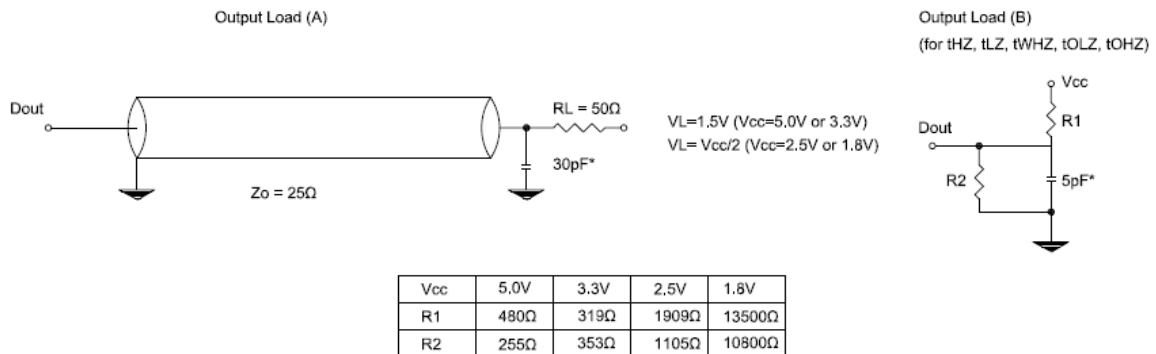
Item	Symbol	Test Conditions	TYP	Max	Unit
Input/ Output Capacitance	$C_{I/O}$	$V_{I/O}=0\text{V}$	-	8	pF
Input Capacitance	C_{IN}	$V_{IN}=0\text{V}$	-	6	pF

*Capacitance is sampled and not 100% tested.

Test Conditions*

Parameter	Value
Input/ Output Capacitance	0 to 3.0V ($V_{CC}=3.3\text{V}$ or 5.0V)
	0 to 2.5V ($V_{CC}=2.5\text{V}$)
	0 to 1.8V ($V_{CC}=1.8\text{V}$)
Input Rise and Fall Time	1V/1ns
Input and Output Timing Reference Levels	1.5V ($V_{CC}=3.3\text{V}$ or 5.0V)
	$1/2V_{CC}$ ($V_{CC}=1.8\text{V}$ or 2.5V)
Output Load	See Fig. 1

*The above parameters are also guaranteed for industrial temperature range.



* Including Scope and Jlg Capacitance

Fig 1



4M Async Fast SRAM

CS18FS4096(3/5/W)
CS16FS4096(3/5/W)

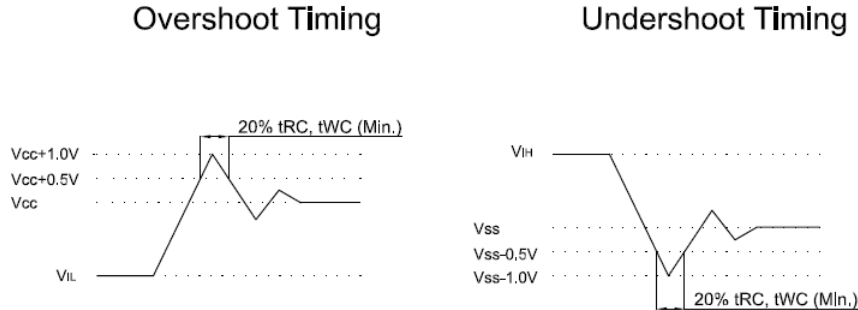


Fig 2

Functional Description (x8 Mode)

\overline{CS}	\overline{WE}	\overline{OE}	Mode	I/O Pin	Supply Current
H	X	X*	Not Select	High-Z	I_{SB}, I_{SB1}
L	H	H	Output Disable	High-Z	I_{CC}
L	H	L	Read	D_{OUT}	I_{CC}
L	L	X	Write	D_{IN}	I_{CC}

*X means don't care

Functional Description (x16 Mode)

\overline{CS}	\overline{WE}	\overline{OE}	\overline{LB}^{**}	\overline{UB}^{**}	Mode	I/O Pin		Supply Current
						$I/O_0 \sim I/O_7$	$I/O_8 \sim I/O_{15}$	
H	X	X*	X	X	Not Select	High-Z	High-Z	I_{SB}, I_{SB1}
L	H	H	X	X	Output Disable	High-Z	High-Z	I_{CC}
L	X	X	H	H				
L	H	L	L	H	Read	D_{OUT}	High-Z	I_{CC}
			H	L		High-Z	D_{OUT}	
			L	L		D_{OUT}	D_{OUT}	
L	L	X	L	H	Write	D_{IN}	High-Z	I_{CC}
			H	L		High-Z	D_{IN}	
			L	L		D_{IN}	D_{IN}	

*X means don't care



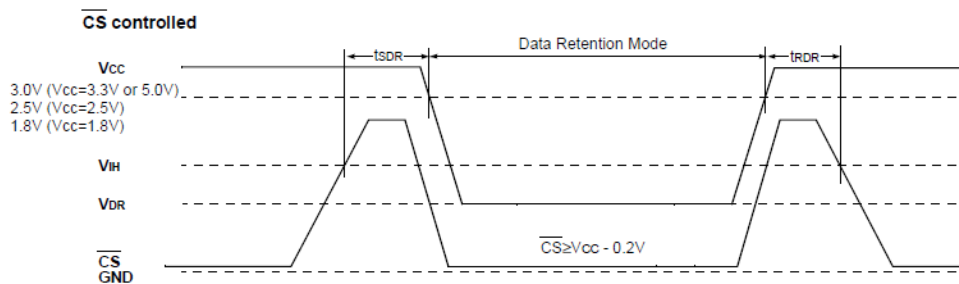
4M Async Fast SRAM

CS18FS4096(3/5/W)
CS16FS4096(3/5/W)

Data Retention Characteristics*($T_A=0$ to 70°C)

Parameter	Product	Operating $V_{CC}(V)$	Symbol	Test Condition	Min.	Typ.	Max.	Unit
V_{CC} for Data Retention	5.0V Product	5.0	V_{DR}	$\overline{CS} \geq V_{CC} - 0.2V$	2.0	-	5.5	V
	3.3V Product	3.3			2.0	-	3.6	
	Wide 2.4V~3.6V	2.5/3.3			2.0	-	3.6	
	Wide 1.65V~2.2V	1.8			1.5	-	3.6	
Data Retention Current	5.0V Product	5.0	I_{DR}	$V_{CC}=2.0V$ $\overline{CS} \geq V_{CC} - 0.2V$ $V_{IN} \geq V_{CC} - 0.2V$ or $V_{IN} \leq 0.2V$	-	-	5	mA
	3.3V Product	3.3			-	-	5	
	Wide 2.4V~3.6V	2.5/3.3			-	-	6	
	Wide 1.65V~2.2V	1.8			-	-	6	
Data Retention Set-Up Time			t_{SDR}	See Data	0	-	-	nS
Recovery Time			t_{RDR}	Retention Wave form (below)	5	-	-	mS

Data Retention Wave form





4M Async Fast SRAM

CS18FS4096(3/5/W)
CS16FS4096(3/5/W)

Read Cycle*

Parameter	Symbol	8ns		10ns		12ns		15ns		Unit
		Min	Max	Min	Max	Min	Max	Min	Max	
Read Cycle Time	t_{RC}	8	-	10	-	12	-	15	-	ns
Address Access Time	t_{AA}	-	8	-	10	-	12	-	15	ns
Chip Select to Output	t_{CO}	-	8	-	10	-	12	-	15	ns
Output Enable to Valid Output	t_{OE}	-	4	-	5	-	6	-	7	ns
$\overline{UB}, \overline{LB}$ Access Time**	t_{BA}	-	4	-	5	-	6	-	7	ns
Chip Enable to Low-Z Output	t_{LZ}	3	-	3	-	3	-	3	-	ns
Output Enable to Low-Z Output	t_{OLZ}	0	-	0	-	0	-	0	-	ns
$\overline{UB}, \overline{LB}$ Enable to Low-Z Output**	t_{BLZ}	0	-	0	-	0	-	0	-	ns
Chip Disable to High-Z Output	t_{HZ}	0	4	0	5	0	6	0	7	ns
Output Disable to High-Z Output	t_{OHZ}	0	4	0	5	0	6	0	7	ns
$\overline{UB}, \overline{LB}$ Disable to High-Z Output**	t_{BHZ}	0	4	0	5	0	6	0	7	ns
Output Hold from Address Change	t_{OH}	3	-	3	-	3	-	3	-	ns
Chip Selection Power Up Time	t_{PU}	0	-	0	-	0	-	0	-	ns
Chip Selection Power Down Time	t_{PD}	-	8	-	10	-	12	-	15	ns

*The above parameters are also guaranteed for industrial temperature range.



4M Async Fast SRAM

CS18FS4096(3/5/W)
CS16FS4096(3/5/W)

Write Cycle*

Parameter	Symbol	8ns		10ns		12ns		15ns		Unit
		Min	Max	Min	Max	Min	Max	Min	Max	
Write Cycle Time	t_{WC}	8	-	10	-	12	-	15	-	ns
Chip Select to End of Write	t_{CW}	6	-	7	-	9	-	12	-	ns
Address Set-up Time	t_{AS}	0	-	0	-	0	-	0	-	ns
Address Valid to End of Write	t_{AW}	6	-	7	-	9	-	12	-	ns
Write Pulse Width(\overline{OE} High)	t_{WP}	6	-	7	-	9	-	12	-	ns
Write Pulse Width(\overline{OE} Low)	t_{WP1}	8	-	10	-	12	-	15	-	ns
$\overline{UB}, \overline{LB}$ Valid to End of Write**	t_{BW}	6	-	7	-	9	-	12	-	ns
Write Recovery Time	t_{WR}	0	-	0	-	0	-	0	-	ns
Write to Output High-Z	t_{WHZ}	0	4	0	5	0	6	0	7	ns
Data to Write Time Overlap	t_{DW}	4	-	5	-	7	-	8	-	ns
Data Hold from Write Time	t_{DH}	0	-	0	-	0	-	0	-	ns
End of Write to Output Low-Z	t_{OW}	3	-	3	-	3	-	3	-	ns

*The above parameters are also guaranteed for industrial temperature range.

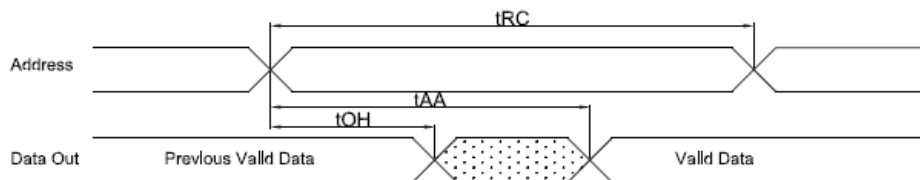


4M Async Fast SRAM

CS18FS4096(3/5/W)
CS16FS4096(3/5/W)

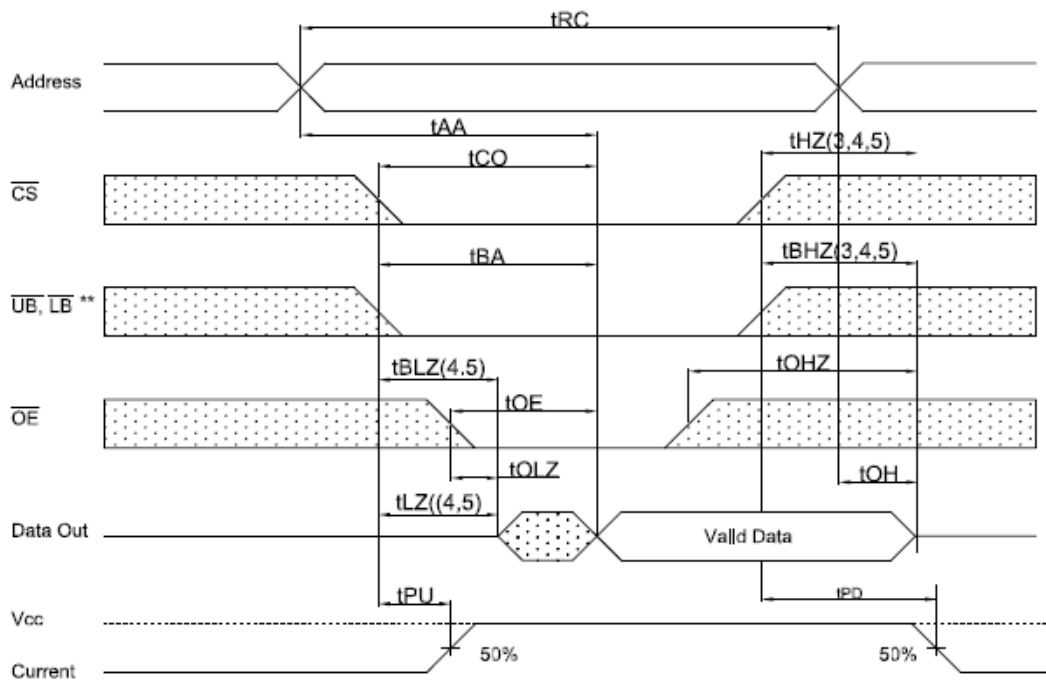
Timing Diagram

Timing Waveform of Read Cycle (1) (Address Controlled, $\overline{CS} = \overline{OE} = V_{IL}$, $\overline{WE} = V_{IH}$, \overline{UB} , $\overline{LB} = V_{IL}$ **)



** Those parameters are applied for x16 mode only.

Timing Waveform of Read Cycle (2) ($\overline{WE} = V_{IH}$)



NOTES (Read Cycle)

1. \overline{WE} is high for read cycle
2. All read cycle timing is referenced from the last valid address to the first transition address.
3. t_{HZ} and t_{OHZ} are defined as the time at which the outputs achieve the open circuit condition and are not referenced to V_{OH} or V_{OL} levels.
4. At any given temperature and voltage condition, t_{HZ} (Max.) is less than t_{LZ} (Min.) both for a given device and from



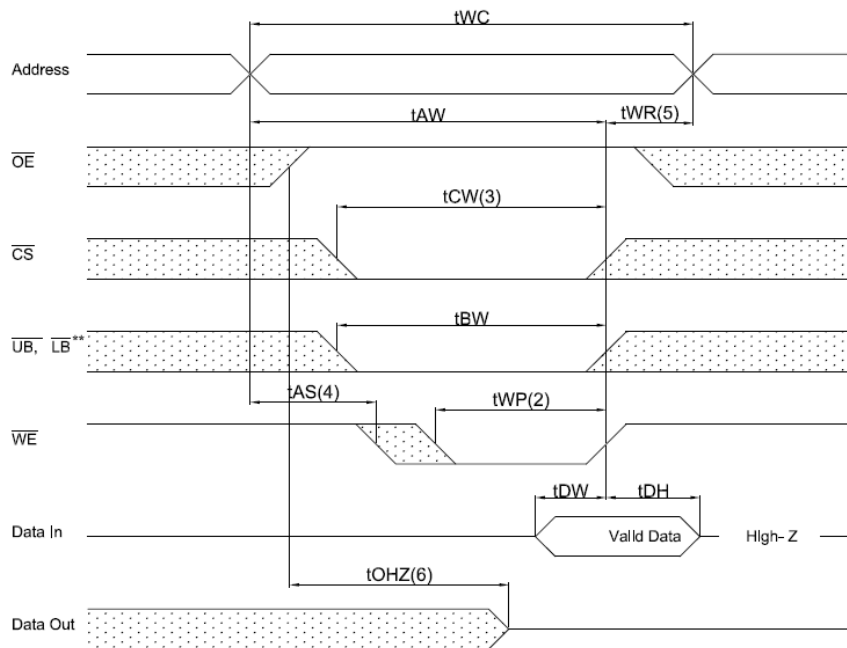
4M Async Fast SRAM

CS18FS4096(3/5/W)
CS16FS4096(3/5/W)

device to device.

5. Transition is measured $\pm 200\text{mV}$ from steady state voltage with Load (B). This parameter is sampled and not 100% tested.
 6. Device is continuously selected with $\overline{CS} = V_{IL}$.
 7. Address valid prior to coincident with \overline{CS} transition low.
 8. For common I/O applications, minimization or elimination of bus contention conditions is necessary during read and write cycle.
- ** Those parameters are applied for x16 mode only.

Timing Waveform of Write Cycle (1) (\overline{OE} Clock)



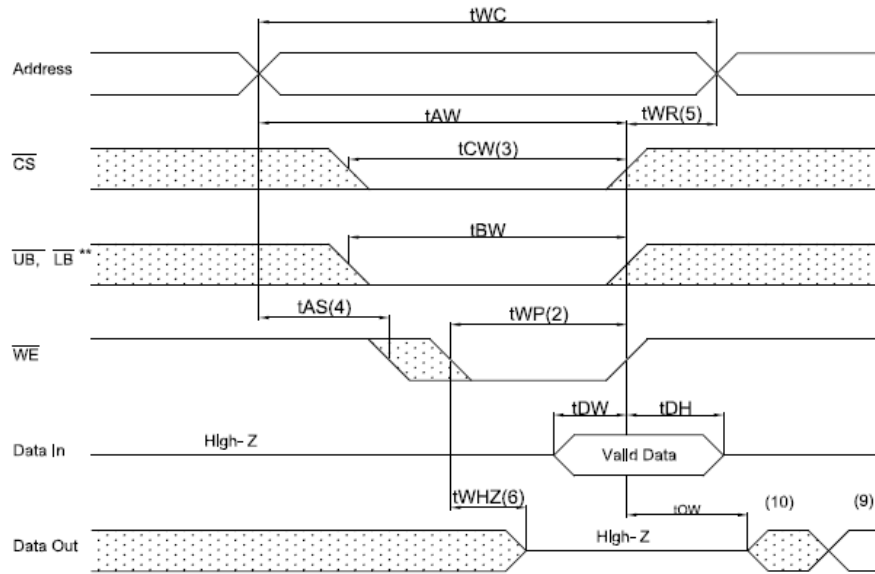
** Those parameters are applied for x16 mode only.



4M Async Fast SRAM

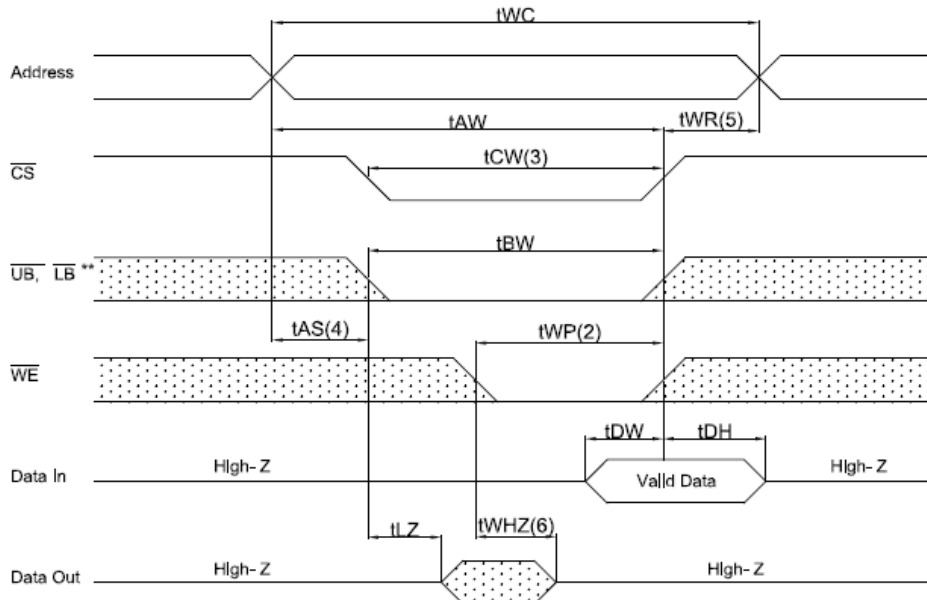
CS18FS4096(3/5/W)
CS16FS4096(3/5/W)

Timing Waveform of Write Cycle (2) (\overline{OE} = Low fixed)



** Those parameters are applied for x16 mode only.

Timing Waveform of Write Cycle (3) (\overline{CS} = Controlled)



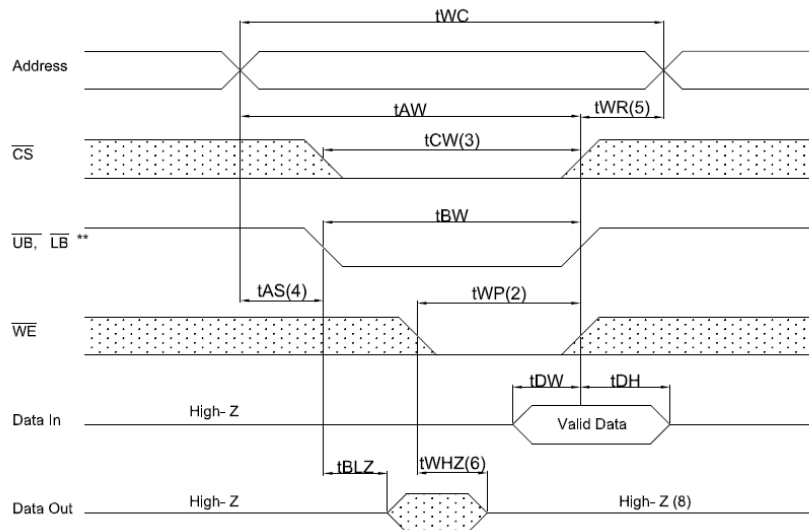
** Those parameters are applied for x16 mode only.



4M Async Fast SRAM

CS18FS4096(3/5/W)
CS16FS4096(3/5/W)

Timing Waveform of Write Cycle (4) (\overline{UB} , \overline{LB} Controlled)



NOTES (Write Cycle)

1. All write cycle timing is referenced from the last valid address to the first transition address.
2. A write occurs during the overlap of a low \overline{CS} , \overline{WE} , \overline{LB} and \overline{UB} . A write begins at the latest transition \overline{CS} going low and \overline{WE} going low ;
A write ends at the earliest transition \overline{CS} going high or \overline{WE} going high. t_{WP} is measured from the beginning of write to the end of write.
3. t_{CW} is measured from the later of \overline{CS} going low to end of write.
4. t_{AS} is measured from the address valid to the beginning of write.
5. \overline{WE} is measured from the end of write to the address change. t_{WR} applied in case a write ends as \overline{CS} or \overline{WE} going high.
6. If \overline{OE} , \overline{CS} and \overline{WE} are in the Read Mode during this period, the I/O pins are in the output low-Z state. Inputs of opposite phase of the output must not be applied because bus contention can occur.
7. For common I/O applications, minimization or elimination of bus contention conditions is necessary during read and write cycle.
8. If \overline{CS} goes low simultaneously with \overline{WE} going or after \overline{WE} going low, the outputs remain high impedance state.
9. D_{OUT} is the read data of the new address.
10. When \overline{CS} is low : I/O pins are in the output state. The input signals in the opposite phase leading to the output should not be applied.

** Those parameters are applied for x16 mode only

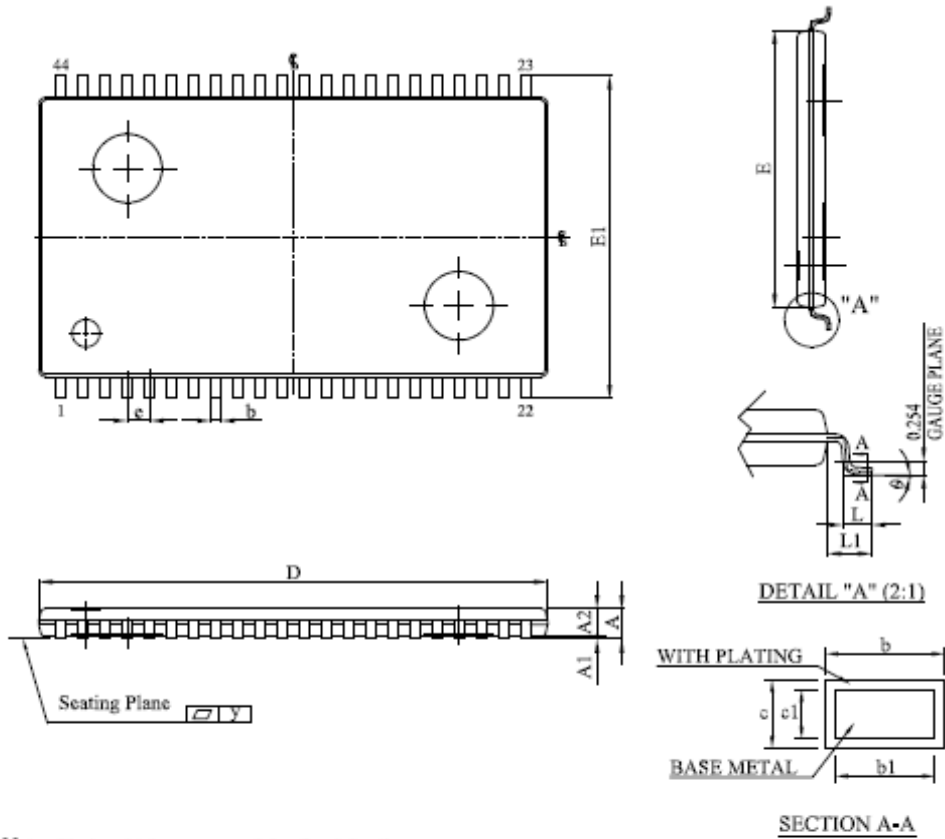


4M Async Fast SRAM

CS18FS4096(3/5/W)
CS16FS4096(3/5/W)

Package outline dimensions

44L-TSOP2-400mil



Note: Plating thickness spec : 0.3 mil – 0.8 mil.

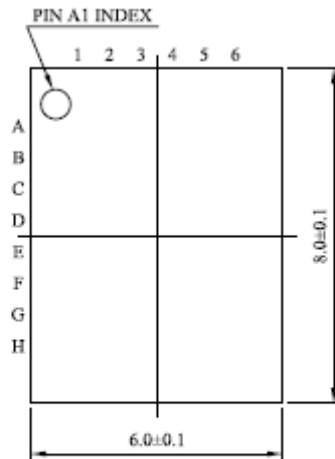
SYMBOL		A	A1	A2	b	b1	c	c1	D	E	E1	e	L	L1	y	θ
UNIT																
mm	Min.	1.00	0.05	0.95	0.30	0.30	0.12	0.12	18.31	10.06	11.56	0.70	0.40	0.70	—	0°
	Nom.	1.10	0.10	1.00	—	—	—	—	18.41	10.16	11.76	0.80	0.50	0.80	—	—
	Max.	1.20	0.15	1.05	0.45	0.40	0.21	0.16	18.51	10.26	11.96	0.90	0.60	0.90	0.1	8°
inch	Min.	0.0393	0.002	0.037	0.012	0.012	0.005	0.005	0.721	0.396	0.455	0.0275	0.0157	0.0275	—	0°
	Nom.	0.0433	0.004	0.039	—	—	—	—	0.725	0.400	0.463	0.0315	0.0197	0.0315	—	—
	Max.	0.0473	0.006	0.041	0.018	0.016	0.008	0.006	0.729	0.404	0.471	0.0355	0.0237	0.0355	0.004	8°



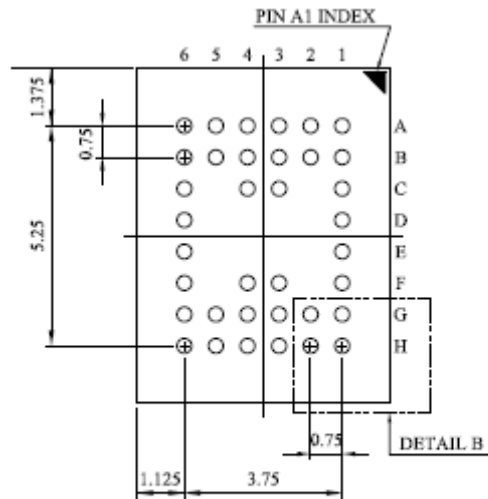
4M Async Fast SRAM

CS18FS4096(3/5/W)
CS16FS4096(3/5/W)

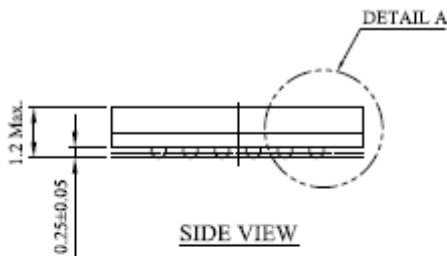
36ball mini-BGA-6x8mm (ball pitch: 0.75mm)



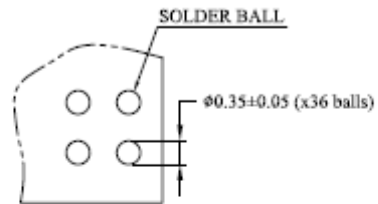
TOP VIEW



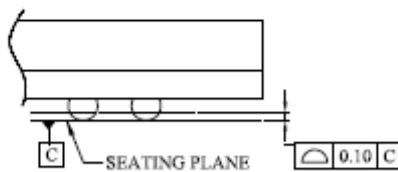
BOTTOM VIEW (BALL SIDE)



SIDE VIEW



DETAIL B



DETAIL A

NOTES:

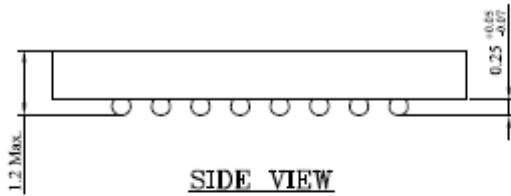
1. CONTROLLING DIMENSIONS ARE IN MILLIMETERS.
2. PIN#1 DOT MARKING BY LASER OR PAD PRINT.



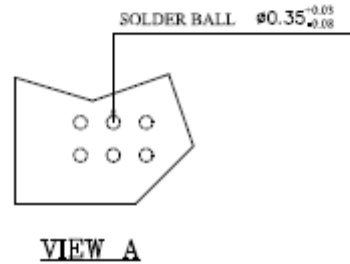
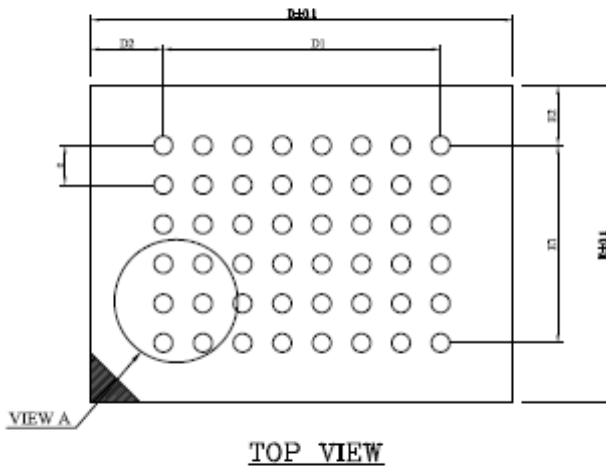
4M Async Fast SRAM

CS18FS4096(3/5/W)
CS16FS4096(3/5/W)

48ball mini-BGA-6x8mm (ball pitch: 0.75mm)



BALL PITCH e = 0.75						
D	E	N	D1	E1	D2	E2
8.0	6.0	48	5.25	3.75	1.375	1.125



NOTES:

1. CONTROLLING DIMENSIONS ARE IN MILLIMETERS.
2. PIN#1 DOT MARKING BY LASER OR PAD PRINT.
3. SYMBOL "N" IS THE NUMBER OF SOLDER BALLS.
4. TOLERANCES:
 LINEAR: X.X = ±0.1
 X.XX = ±0.05
 X.XXX = ±0.025