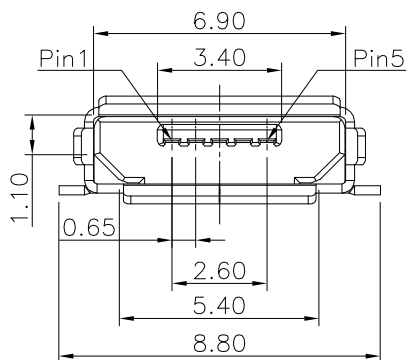


P.C.B. LAYOUT
TOP VIEW ±0.05



MATERIALS

HOUSING: LCP (UL 94V-0)
SHELL: COPPER ALLOY, TIN PLATING.
TERMINAL: COPPER ALLOY, GOLD PLATED ON CONTACT AREA,
TIN PLATING ON SOLDER TAIL.

SPECIFICATION

CURRENT RATING: 1.8 AMP MAX (ONLY PIN 1, 5), OTHER 1 AMP MAX
DIELECTRIC WITHSTANDING: 100V AC FOR ONE MINUTE
CONTACT RESISTANCE: 50m OHMS MAX
INSULATION RESISTANCE: 100M OHMS MIN AT DC 500V
OPERATION TEMPERATURE: -25°C ~ +105°C



DESCRIPTION(內容): MICRO USB AB TYPE, PCB MOUNT, SMT, METAL SHIELD, FEMALE (RoHS)	DRAWN(製圖): KAY	GENERAL TOLERANCE: (公差) .X ±0.30 .XX ±0.20 .XXX ±0.10 ANG. ±3°	REV: R1	REV	DESCRIPTION	DATE
	CHECKED(確認): MANDY		UNIT: mm	R0		RELEASE
PART NO: (料號) UMMCF-051MGCB-CF1066	APPROVAL(核准): JOHNNY	SCALE(比例): FREE	SIZE: A4	R1	更換確認章	2019.07.29
DWG NO(圖號): 22UAH-051T-120L			SHEET: 1/1	R2		
				R3		