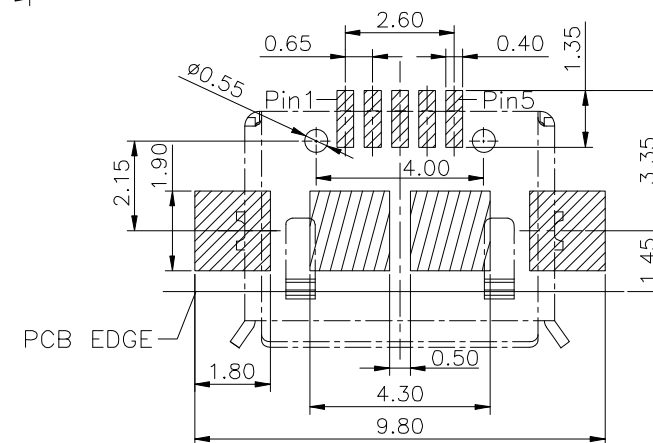


MATERIALS

HOUSING: LCP (UL 94V-0), COLOR: BLACK
 SHELL: COPPER ALLOY, TIN PLATED & NICKEL PLATED
 TERMINAL: COPPER ALLOY, GOLD PLATED OVER ALL

SPECIFICATION

CURRENT RATING: 1.8 AMP MAX (ONLY PIN 1, 5),
 OTHER 1 AMP MAX
 DIELECTRIC WITHSTANDING: 100V AC FOR ONE MINUTE
 CONTACT RESISTANCE: 30m OHMS MAX
 INSULATION RESISTANCE: 100M OHMS MIN AT DC 500V
 OPERATION TEMPERATURE: $-25^{\circ}\text{C} \sim +105^{\circ}\text{C}$



P.C.B. LAYOUT
 TOP VIEW ± 0.05



DESCRIPTION(內容):
 MICRO USB B TYPE, PCB MOUNT, SMT,
 METAL SHIELD, FEMALE, WITH POST
 (RoHS)

PART NO:
 (料 號) UMMBF-051MGC2-CF1066

DWG NO(圖號): 22TBH-051T-123L-1

DRAWN(製圖):
 GONG

CHECKED(確認):
 TERESA

APPROVAL(核准):

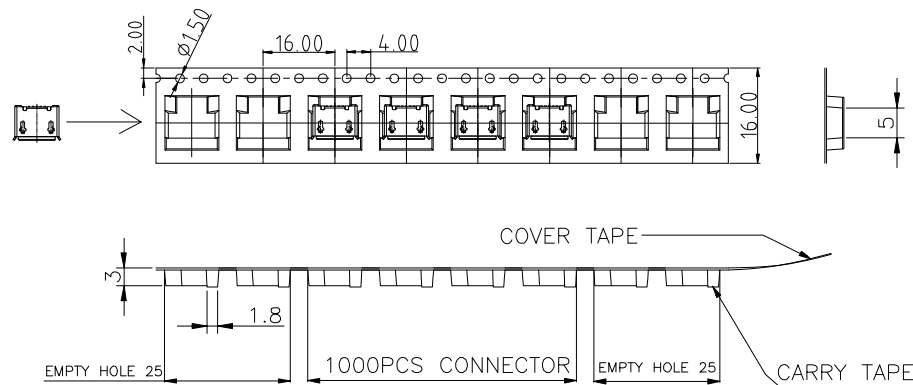
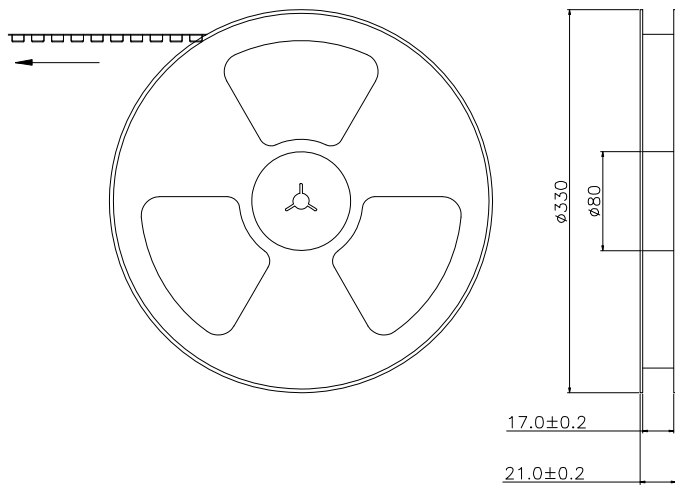
JOHNNY

GENERAL TOLERANCE:
 (公差)
 .X ± 0.30
 .XX ± 0.20

SCALE(比例):
 FREE

REV: R4
 UNIT: mm
 SIZE: A4
 SHEET: 1/2

REV	DESCRIPTION	DATE
R0	RELEASE	2012.04.06
R1	修正Terminal:Gold Plated(原:Gold/Tin Plated)	2013.05.30
R2	變更 SHELL電鍍:TIN PLATED(原:NICKEL PLATED)	2014.08.19
R3	圖面更新 & 端子改為半金鍍(原:GOLD PLATED)	2015.03.06
R4	圖面更新	2016.03.08



INFORMATION
PER REEL Q'TY: 1000PCS



 承洧科技股份有限公司
Cherng Weei Technology Corp.

DESCRIPTION(內容):
MICRO USB B TYPE, PCB MOUNT, SMT,
METAL SHIELD, FEMALE, WITH POST
(RoHS)

PART NO:
(料號) UMMBF-051MGCB2-CF1066
DWG NO(圖號): 22TBH-051T-123L-1

DRAWN(製圖):
GONG
CHECKED(確認):
TERESA
APPROVAL(核准):
JOHNNY

GENERAL TOLERANCE:
(公差)
.X ±0.30
.XX ±0.20
SCALE(比例):
FREE

REV:
R0
UNIT:
mm
SIZE:
A4
SHEET:
2/2

REV
R0
R1
R2
R3

DESCRIPTION

DATE

2016.08.11

A

B

C

D

E

CF1066