

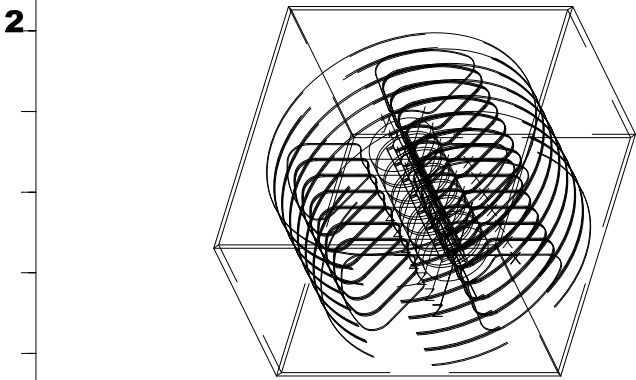
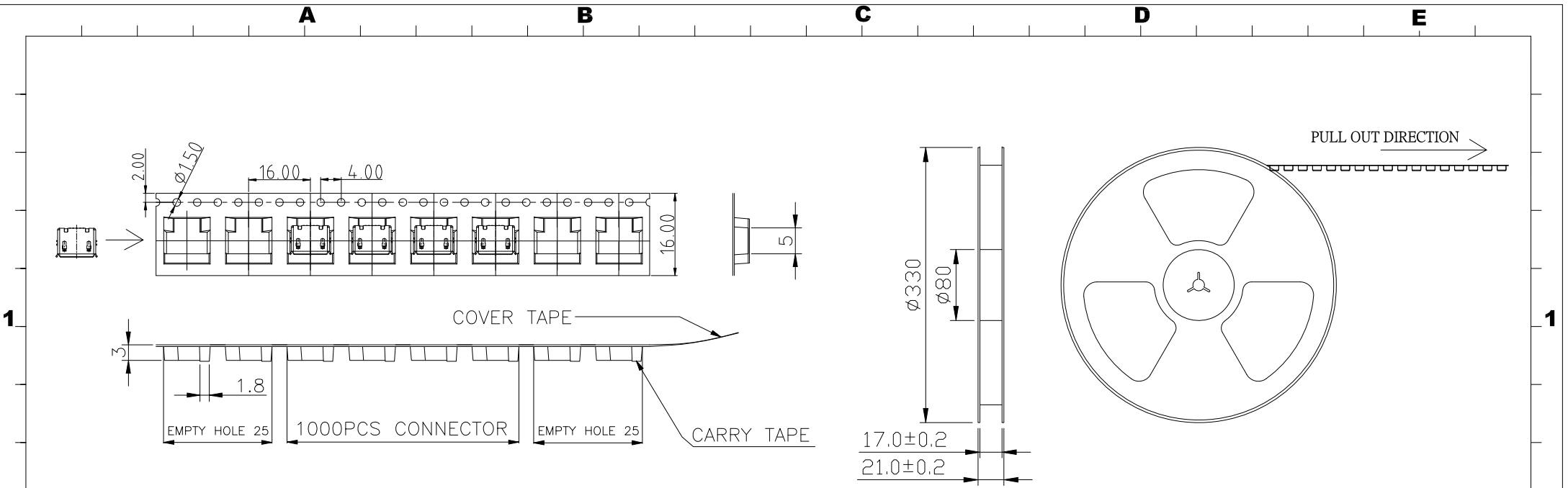
### MATERIALS

HOUSING: LCP (UL 94V-0), COLOR: BLACK  
 SHELL: COPPER ALLOY, TIN PLATING  
 TERMINAL: COPPER ALLOY, GOLD PLATED OVER ALL

### SPECIFICATION

CURRENT RATING: 1.8 AMP MAX (ONLY PIN 1, 5), OTHER 1 AMP MAX  
 DIELECTRIC WITHSTANDING: 100V AC FOR ONE MINUTE  
 CONTACT RESISTANCE: 30m OHMS MAX  
 INSULATION RESISTANCE: 100M OHMS MIN AT DC 500V  
 OPERATION TEMPERATURE: -25°C~+105°C





NOTE:  
 1. QUANTITY  
 1000PCS/REEL  
 10 REEL/CARTON  
 10000PCS/CARTON  
 2. DIMENSIONS & MATERIALS  
 CARRIER TAPE: POLYPROPYLENE  
 TOP TAPE: POLYESTER, POLYETHYLENE  
 REEL: POLYSTYRENE  
 CARTON A=B 360(L)\*360(W)\*320(H)MM



 承洧科技股份有限公司  
Cherng Wee Technology Corp.

DESCRIPTION(內容):  
**MICRO USB B TYPE, PCB MOUNT, SMT, METAL SHIELD, FEMALE (RoHS)**  
 PART NO: UMMBF-051MGCB-CF1066  
 (料號)  
 DWG NO(圖號): 22TAH-051-121L-1

DRAWN(製圖):  
**GONG**  
 CHECKED(確認):  
**TERESA**  
 APPROVAL(核准):  
**JOHNNY**

GENERAL TOLERANCE: (公差)  
 .X ±0.30  
 .XX ±0.20  
 SCALE(比例):  
**FREE**

REV: **R2**  
 UNIT: **mm**  
 SIZE: **A4**  
 SHEET: **2/2**

| REV | DESCRIPTION                              | DATE       |
|-----|--|------------|
| R0  | RELEASE                                  | 2016.02.03 |
| R1  | 備註料帶放料方向                                 | 2016.03.01 |
| R2  | 變更接觸阻抗(原:50m OHMS)&圖號(原:22TAH-051T-121L) | 2018.01.31 |
| R3  |  |            |