

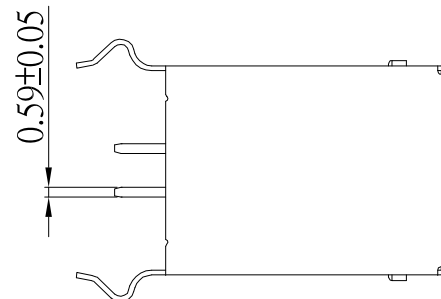
A

B

C

D

E



MATERIALS

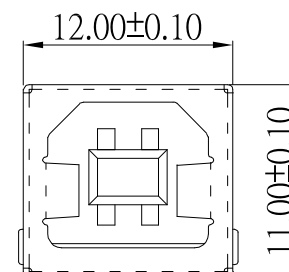
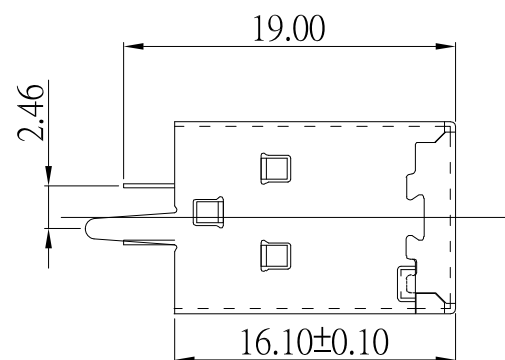
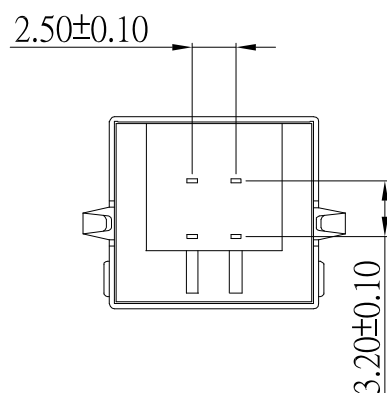
HOUSING: PBT (UL 94V-0)
 SHELL: SPCC, NICKEL PLATING
 TERMINAL: COPPER ALLOY/C5191, GOLD PLATED ON CONTACT AREA, TIN PLATED ON SOLDER TAIL

SPECIFICATION

CURRENT RATING: 1 AMP MAX
 DIELECTRIC WITHSTANDING: 100V AC FOR ONE MINUTE
 CONTACT RESISTANCE: 50m OHMS MAX
 INSULATION RESISTANCE: 100M OHMS MIN AT DC 100V
 OPERATION TEMPERATURE: -25°C~+85°C

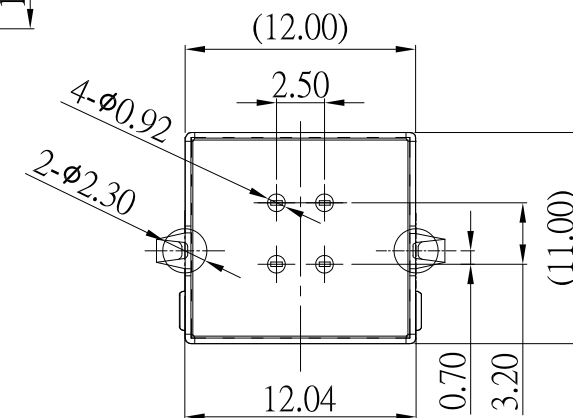
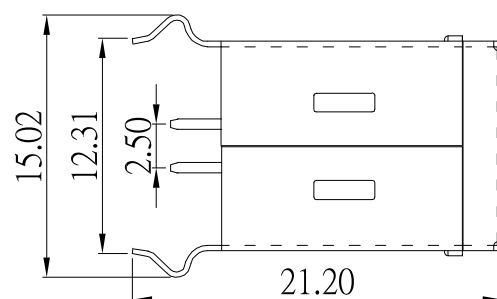
1

1



2

2



RECOMMENDED PCB LAYOUT

3

3



承洧科技股份有限公司
 Cherg Weei Technology Corp.

DESCRIPTION(內容):
USB TYPE B 180° DIP 母 (RoHS)

PART NO:
 (料號) **UBF-041VGPW-CF1066**
 DWG NO(圖號): **22BA-041T-114L2**

DRAWN(製圖):
GONG
 CHECKED(確認):
TERESA

APPROVAL(核准):
JOHNNY

GENERAL TOLERANCE:
 (公差)
 .X ±0.30
 .XX ±0.20

SCALE(比例):
FREE

REV:
R2
 UNIT:
mm
 SIZE:
A4
 SHEET:
1/1

REV
R0
R1
R2
R3

DESCRIPTION
 修正端子材質(原:C2680)
 新增包裝圖

DATE
 2016.03.08
 2016.03.22
 2019.06.21

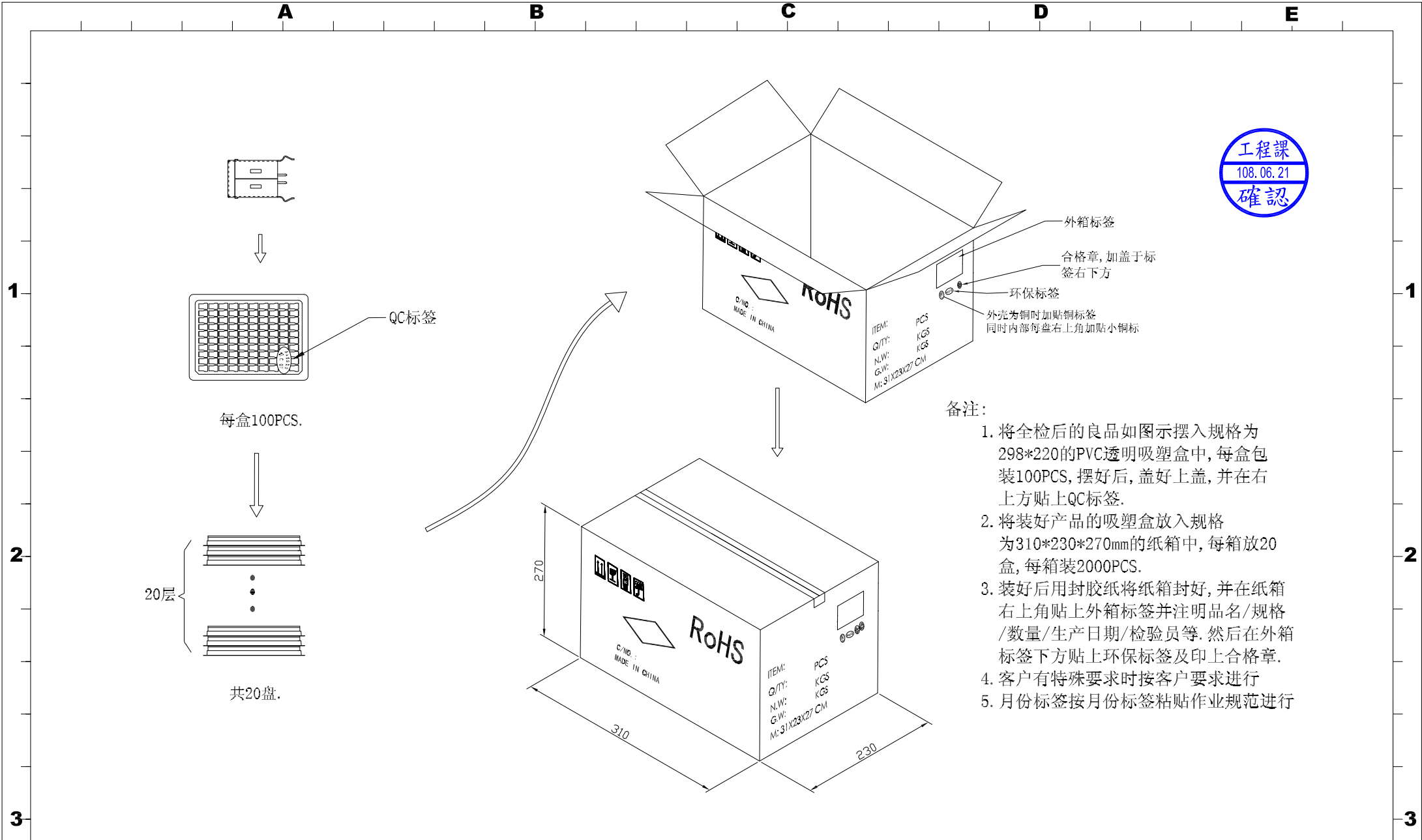
A

B

C

D

E



 承洧科技股份有限公司
Cherng Weei Technology Corp.

DESCRIPTION(內容):
**USB TYPE B 180° DIP 母
包裝圖 (RoHS)**

PART NO:
(料 號) **UBF-041VGPW-CF1066**

DWG NO(圖號): **22BA-041T-114L2**

DRAWN(製圖):
HUANG

CHECKED(確認):
TERESA

APPROVAL(核准):
JOHNNY

GENERAL TOLERANCE:
(公差)
.X ±0.30
.XX ±0.20

SCALE(比例):
FREE

REV: **R0**

UNIT:
mm

SIZE:
A4

SHEET:
1/1

REV	DESCRIPTION	DATE
R0		2019.06.21
R1		
R2		
R3		