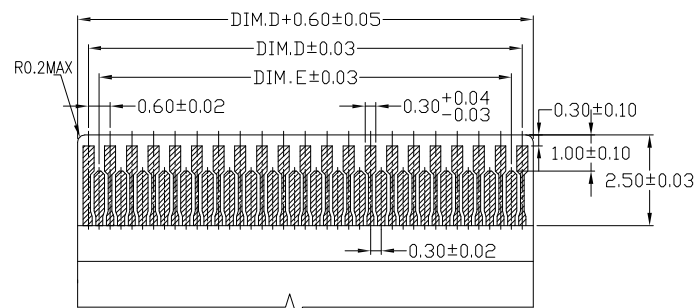
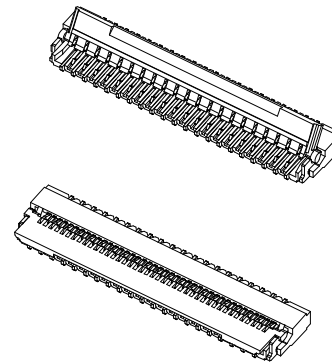
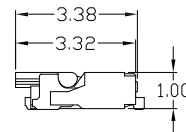
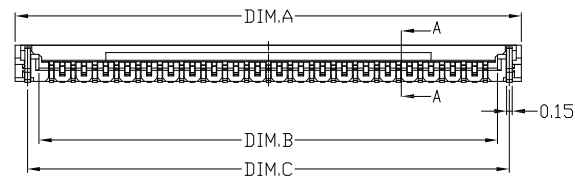
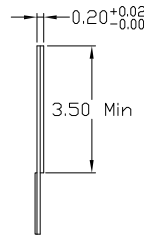


FPC/FFC Insert Direction
Recommended P.C.B Layout



RECOMMENDED FPC DIMENSIONS



Number of Contacts	Dimension				
	A	B	C	D	E
13	5.60	4.28	4.93	3.60	3.00
15	6.20	4.88	5.53	4.20	3.60
17	6.80	5.48	6.13	4.80	4.20
19	7.40	6.08	6.73	5.40	4.80
21	8.00	6.68	7.33	6.00	5.40
23	8.60	7.28	7.93	6.60	6.00
25	9.20	7.88	8.53	7.20	6.60
27	9.80	8.48	9.13	7.80	7.20
29	10.40	9.08	9.73	8.40	7.80
31	11.00	9.68	10.33	9.00	8.40
33	11.60	10.28	10.93	9.60	9.00
35	12.20	10.88	11.53	10.20	9.60
37	12.80	11.48	12.13	10.80	10.20
39	13.40	12.08	12.73	11.40	10.80
41	14.00	12.68	13.33	12.00	11.40
43	14.60	13.28	13.93	12.60	12.00
45	15.20	13.88	14.53	13.20	12.60
47	15.80	14.48	15.13	13.80	13.20
49	16.40	15.08	15.73	14.40	13.80
51	17.00	15.68	16.33	15.00	14.40
53	17.60	16.28	16.93	15.60	15.00
55	18.20	16.88	17.53	16.20	15.60
57	18.80	17.48	18.13	16.80	16.20
59	19.40	18.08	18.73	17.40	16.80
61	20.00	18.68	19.33	18.00	17.40
63	20.60	19.28	19.93	18.60	18.00
65	21.20	19.88	20.53	19.20	18.60
67	21.80	20.48	21.13	19.80	19.20
69	22.40	21.08	21.73	20.40	19.80
71	23.00	21.68	22.33	21.00	20.40
73	23.60	22.28	22.93	21.60	21.00

Note:

1. Material
 - 1.1: Housing: LCP UL94-V0 Color: Natural.
 - 1.2: Actuator: LCP UL94-V0 Color: Black.
 - 1.3: Contact: C5191.
 - 1.4: LEG: C2680.
2. Plating
 - 2.1: Contact: Gold Flash.
 - 2.2: LEG: Matte Tin Plating Over Nickel.
3. Rating:
 - 3.1: Operating Voltage: 30V AC/DC.
 - 3.2: Current Rating: 0.2A AC/DC.
 - 3.3: Operating Temperature: -55°C ~ +85°C.
4. Packing: Tape Reel Packing.



DESCRIPTION(內容):
FPC 0.3mm H:1.0 掀蓋式(前插前壓式) Right Angle Lower Contact Type, REEL (RoHS)
 PART NO:
 (料號) **FPC410F1XX-CGR**
 DWG NO(圖號): FPC0320-XXRL-TAG

DRAWN(製圖):
GONG
 CHECKED(確認):
TERESA
 APPROVAL(核准):
JOHNNY

GENERAL TOLERANCE:(公差)
 LINEAR .X ±0.25 .XX ±0.20
 ANGLE X' ±5' .X' ±3'

SCALE(比例):
FREE

REV: **R3**
 UNIT: **mm**
 SIZE: **A4**
 SHEET: **1/2**

REV	DESCRIPTION	DATE
R0	RELEASE	2015.05.12
R1	內容修正(原: Dual, 改: Lower)	2019.05.24
R2	圖面更新	2019.08.27
R3	圖面更新	2019.12.23

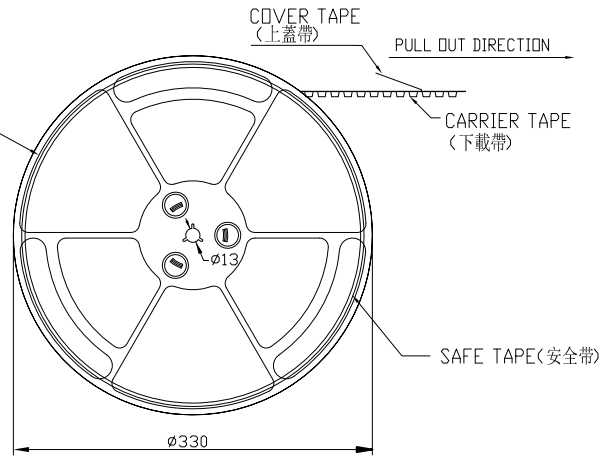
A

B

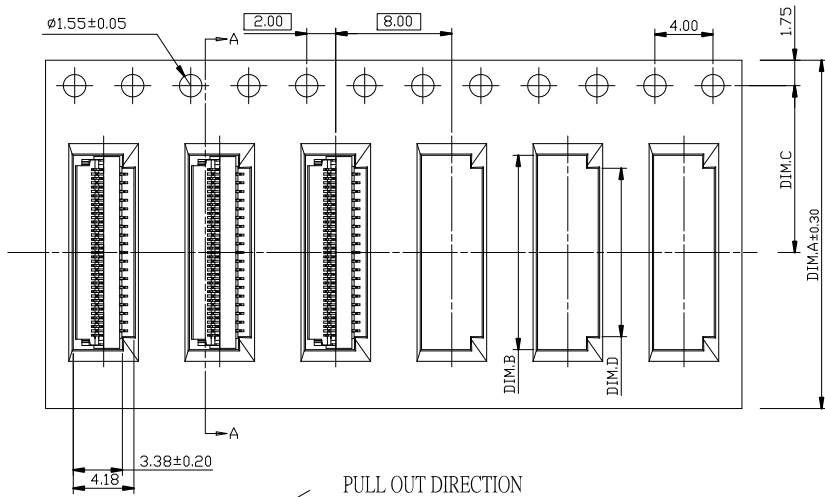
C

D

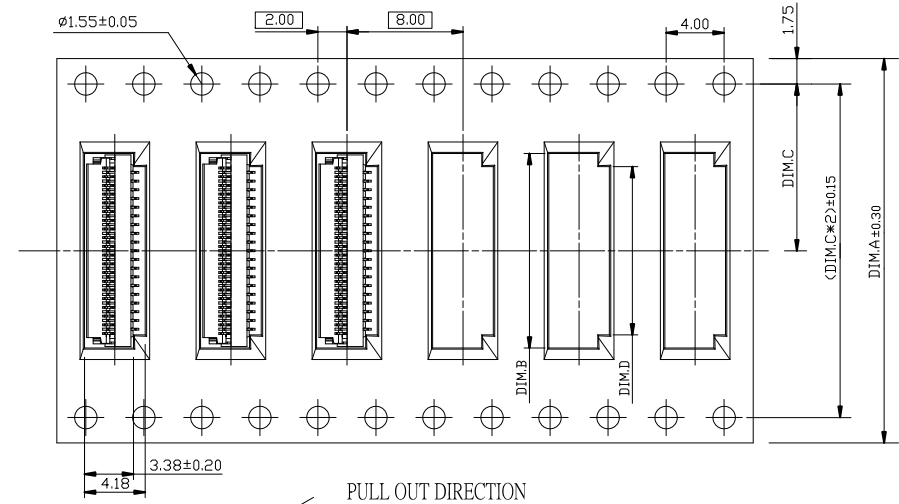
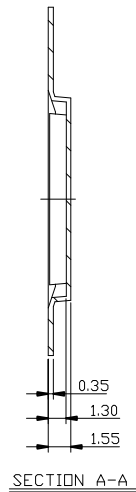
E



Pos.NO.	DIM.A	DIM.B	DIM.C	DIM.D	Pcs/Reel
13	16.00	5.90	7.50	3.90	5000
15	16.00	6.50	7.50	4.50	5000
21	16.00	8.30	7.50	6.30	5000
23	16.00	8.90	7.50	6.90	5000
25	24.00	9.50	11.50	7.50	5000
29	24.00	10.70	11.50	8.70	5000
31	24.00	11.30	11.50	9.30	5000
33	24.00	11.90	11.50	9.90	5000
35	24.00	12.50	11.50	10.50	5000
37	24.00	13.10	11.50	11.10	5000
39	24.00	13.70	11.50	11.70	5000
41	24.00	14.30	11.50	12.30	5000
45	24.00	15.50	11.50	13.50	5000
51	32.00	17.30	14.25	15.30	5000
57	32.00	19.10	14.25	17.10	5000
61	32.00	20.30	14.25	18.30	5000
71	44.00	23.30	20.25	21.30	5000



PULL OUT DIRECTION
13pin ~ 45pin為單邊孔



PULL OUT DIRECTION
51pin(含)以上為雙邊孔



DESCRIPTION(內容):
FPC 0.3mm H:1.0 掀蓋式(前插前壓式) Right Angle Lower Contact Type, REEL (RoHS)
 PART NO:
 (料號) **FPC410F1XX-CGR**
 DWG NO(圖號): **FPC0320-XXRL-PK**

DRAWN(製圖):
GONG
 CHECKED(確認):
TERESA
 APPROVAL(核准):
JOHNNY

GENERAL TOLERANCE:(公差)
 LINEAR .X ±0.25 .XX ±0.20
 ANGLE X' ±5' .X' ±3'
 SCALE(比例):
FREE

REV: **R2**
 UNIT: **mm**
 SIZE: **A4**
 SHEET: **2/2**

REV	DESCRIPTION	DATE
R0	RELEASE	2015.12.25
R1	圖面更新	2016.01.22
R2	內容修正(原: Dual, 改: Lower)	2019.05.24
R3		