

Lower Contact

Specifications:
 Rating:
 Current Rating:0.5 Amp
 Voltage Rating:50V AC/DC
 Operating Temperature Range:-40°~+105°C
 Max Processing Temp.:260°C for 5 Seconds

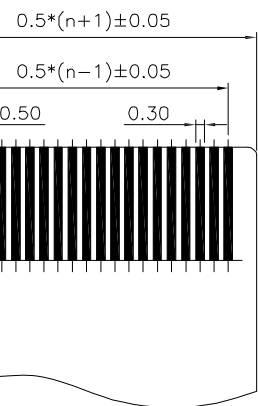
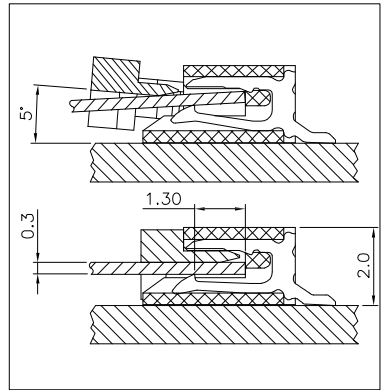
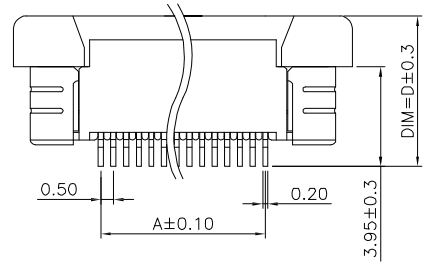
Electrical:
 Contact resistance:40m Ohm Max
 Insulator resistance:500M ohm min.
 Withstanding Voltage:200V AC/Minute

Material And Finish:
 Housing:LCP UL94V-0 Natural
 Cover(ZIF):LCP UL94V-0 Black
 Terminal:Phosphor Bronze,
 Fitting Nail:Phosphor Bronze With Tin Plated.
 Plating: Gold plated or Tin plated Over Nickel

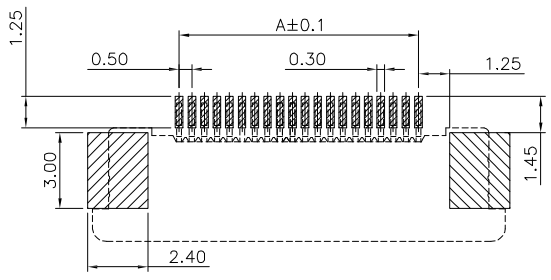
PART NO.: FPC320L0 XX - C X X - CF1337

04 ~ 64 PIN

T:Tube Packing
 R:Tape/Reel Packing
 G:Gold Plated
 T:Tin Plated



FFC/FPC Dimension(Thickness 0.30 mm)



(Tolerance:0.05)
 Recommended PCB Layout



No.of CKTS	A	B	C	D
04	1.50	2.57	8.40	5.45
05	2.00	3.07	8.90	
06	2.50	3.57	9.40	
07	3.00	4.07	9.90	
08	3.50	4.57	10.40	
09	4.00	5.07	10.90	
10	4.50	5.57	11.40	
11	5.00	6.07	11.90	
12	5.50	6.57	12.40	
13	6.00	7.07	12.90	
14	6.50	7.57	13.40	
15	7.00	8.07	13.90	
16	7.50	8.57	14.40	
17	8.00	9.07	14.90	
18	8.50	9.57	15.40	
19	9.00	10.07	15.90	
20	9.50	10.57	16.40	
21	10.00	11.07	16.90	
22	10.50	11.57	17.40	
23	11.00	12.07	17.90	
24	11.50	12.57	18.40	
25	12.00	13.07	18.90	
26	12.50	13.57	19.40	
27	13.00	14.07	19.90	
28	13.50	14.57	20.40	
29	14.00	15.07	20.90	
30	14.50	15.57	21.40	
31	15.00	16.07	21.90	
32	15.50	16.57	22.40	
33	16.00	17.07	22.90	
34	16.50	17.57	23.40	
35	17.00	18.07	23.90	
36	17.50	18.57	24.40	
37	18.00	19.07	24.90	
38	18.50	19.57	25.40	
39	19.00	20.07	25.90	
40	19.50	20.57	26.40	
41	20.00	21.07	26.90	
42	20.50	21.57	27.40	
43	21.00	22.07	27.90	
44	21.50	22.57	28.40	
45	22.00	23.07	28.90	
46	22.50	23.57	29.40	
47	23.00	24.07	29.90	
48	23.50	24.57	30.40	
49	24.00	25.07	30.90	
50	24.50	25.57	31.40	
51	25.00	26.07	31.90	
52	25.50	26.57	32.40	
53	26.00	27.07	32.90	
54	26.50	27.57	33.40	
55	27.00	28.07	33.90	
56	27.50	28.57	34.40	
57	28.00	29.07	34.90	
58	28.50	29.57	35.40	
59	29.00	30.07	35.90	
60	29.50	30.57	36.40	
61	30.00	31.07	36.90	
62	30.50	31.57	37.40	
63	31.00	32.07	37.90	
64	31.50	32.57	38.40	



DESCRIPTION(內容):
FPC 0.5mm H:2.0 90°
抽屜式下接(RoHS)
 PART NO:
 (料號) FPC320L0XX-CXX-CF1337
 DWG NO(圖號): 0005022-XXX32X

DRAWN(製圖):
HUANG
 CHECKED(確認):
TERESA
 APPROVAL(核准):
JOHNNY

GENERAL TOLERANCE:
 (公差)
 . X ±0.20
 . XX ±0.10
 ANG. ±3°
 SCALE(比例):
FREE

REV: **R3**
 UNIT: **mm**
 SIZE: **A4**
 SHEET: **1/1**

REV	DESCRIPTION	DATE
R0		2017.09.04
R1	變更端子鍍層選項	2018.05.31
R2	圖面更新	2019.02.20
R3	Fitting Nail 銅合金→磷青銅	2019.07.24