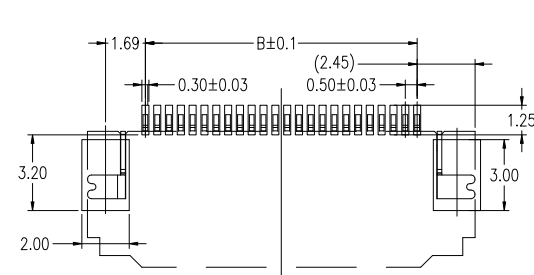
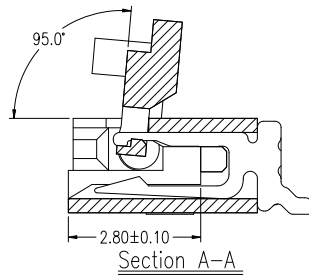
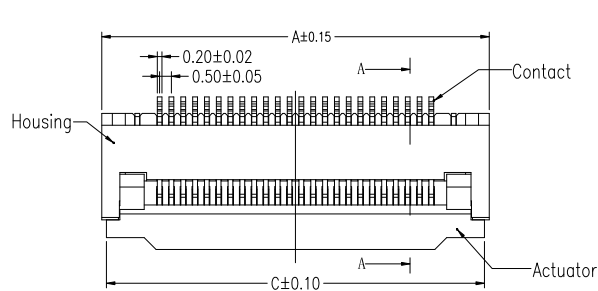
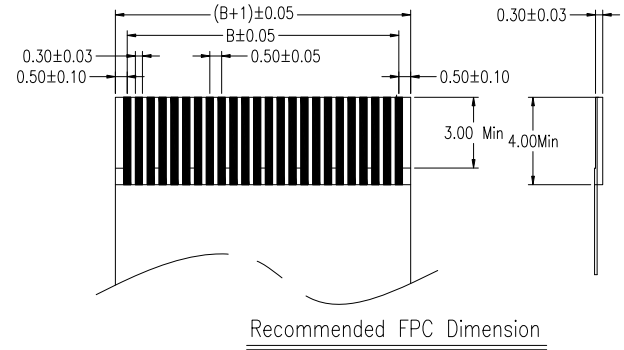
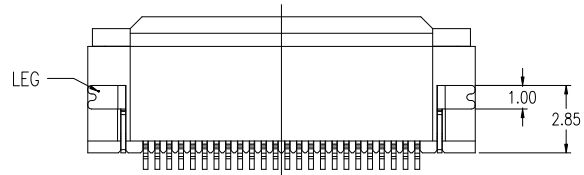
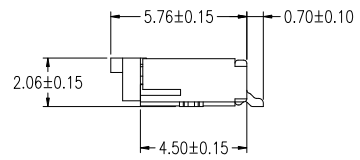
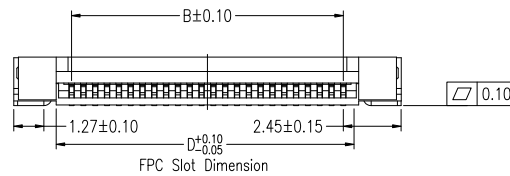


A**B****C****D****E**

FPC/FFC Insert Direction
Recommended P.C.B Layout



Recommended FPC Dimension

PIN	A	B	C	D	PIN	A	B	C	D
04	6.40	1.50	6.00	2.60	33	20.90	16.00	20.50	17.10
05	6.90	2.00	6.50	3.10	34	21.40	16.50	21.00	17.60
06	7.40	2.50	7.00	3.60	35	21.90	17.00	21.50	18.10
07	7.90	3.00	7.50	4.10	36	22.40	17.50	22.00	18.60
08	8.40	3.50	8.00	4.60	37	22.90	18.00	22.50	19.10
09	8.90	4.00	8.50	5.10	38	23.40	18.50	23.00	19.60
10	9.40	4.50	9.00	5.60	39	23.90	19.00	23.50	20.10
11	9.90	5.00	9.50	6.10	40	24.40	19.50	24.00	20.60
12	10.40	5.50	10.00	6.60	41	24.90	20.00	24.50	21.10
13	10.90	6.00	10.50	7.10	42	25.40	20.50	25.00	21.60
14	11.40	6.50	11.00	7.60	43	25.90	21.00	25.50	22.10
15	11.90	7.00	11.50	8.10	44	26.40	21.50	26.00	22.60
16	12.40	7.50	12.00	8.60	45	26.90	22.00	26.50	23.10
17	12.90	8.00	12.50	9.10	46	27.40	22.50	27.00	23.60
18	13.40	8.50	13.00	9.60	47	27.90	23.00	27.50	24.10
19	13.90	9.00	13.50	10.10	48	28.40	23.50	28.00	24.60
20	14.40	9.50	14.00	10.60	49	28.90	24.00	28.50	25.10
21	14.90	10.00	14.50	11.10	50	29.40	24.50	29.00	25.60
22	15.40	10.50	15.00	11.60	51	29.90	25.00	29.50	26.10
23	15.90	11.00	15.50	12.10	52	30.40	25.50	30.00	26.60
24	16.40	11.50	16.00	12.60	53	30.90	26.00	30.50	27.10
25	16.90	12.00	16.50	13.10	54	31.40	26.50	31.00	27.60
26	17.40	12.50	17.00	13.60	55	31.90	27.00	31.50	28.10
27	17.90	13.00	17.50	14.10	56	32.40	27.50	32.00	28.60
28	18.40	13.50	18.00	14.60	57	32.90	28.00	32.50	29.10
29	18.90	14.00	18.50	15.10	58	33.40	28.50	33.00	29.60
30	19.40	14.50	19.00	15.60	59	33.90	29.00	33.50	30.10
31	19.90	15.00	19.50	16.10	60	34.40	29.50	34.00	30.60
32	20.40	15.50	20.00	16.60					

- Note:
- Material
 - Housing: LCP UL94-V0 Color:Natural.
 - Actuator: LCP UL94-V0 Color:Black.
 - Contact: Phosphor Bronze.
 - LEG: Brass.
 - Plating
 - Contact: Matte Tin Or Gold Plating Nickel Overall .
 - LEG: Matte Tin Plating Over Nickel.
 - Rating:
 - Operating Voltage: 50V AC/DC.
 - Current Rating: 0.5A AC/DC.
 - Operating Temperature: -25°C~+85°C.

4.Part Number:
FPC320F0 XX-C X R

NO. of contacts

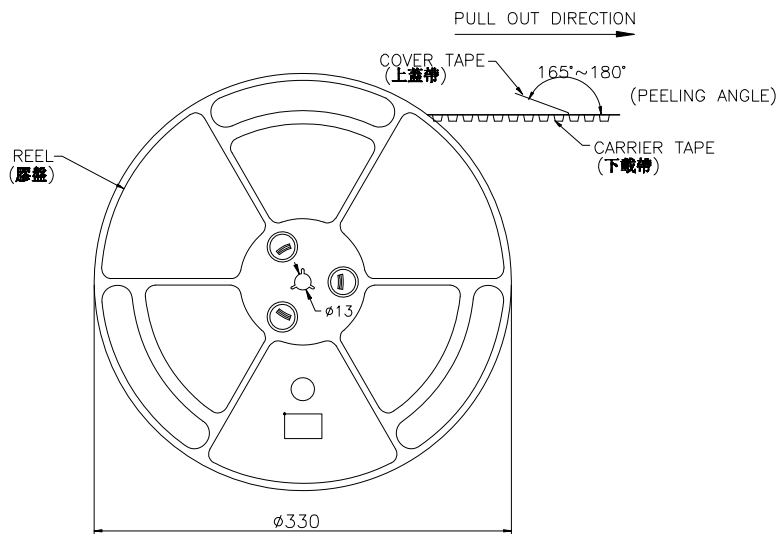
R: Reel
T: Tin plating
G: Gold plating



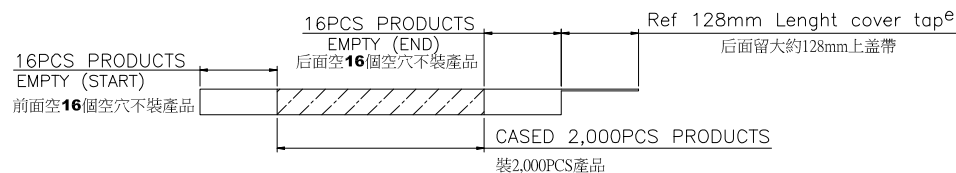
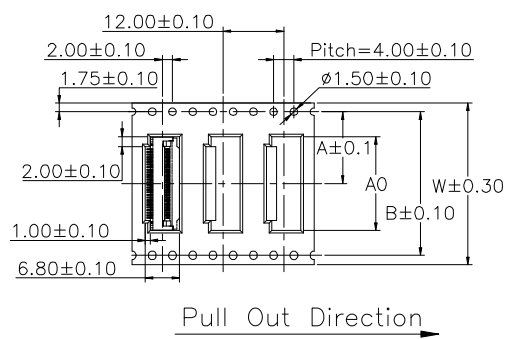
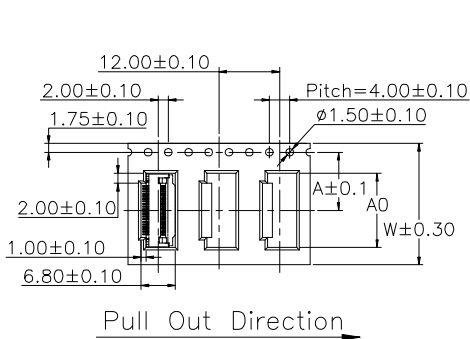
DESCRIPTION(內容):	DRAWN(製圖):	GENERAL TOLERANCE: (公差)	REV: R2	REV	DESCRIPTION	DATE
FPC0.5mm H:2.0 ZIF 掀蓋式 下接 (RoHS)	GONG	.X ±0.25 .XX ±0.20	UNIT: mm	R0	變更可生產包裝方式(原:Tube & REEL)	2016.06.13
	CHECKED(確認): TERESA		SIZE: A4	R1		2017.06.07
PART NO: (料號) FPC320F0XX-CXR	APPROVAL(核准):	SCALE(比例): FREE	SHEET: 1/2	R2	變更Current Rating(原:0.4)&公差	2017.10.26
DWG NO(圖號): FPC0521-XXRL-TAX	JOHNNY			R3		

A**B****C****D****E**

A B C D E



PIN NO.	C	W	A	B	A0	PCS/Reel
04PIN~11PIN	20.5	16	7.50	-	6.60+	2,000
12PIN~27PIN	28.5	24	11.5	-		(n-4)*0.5
28PIN~36PIN	36.5	32	14.2	28.4	(n=pin no)	2,000
37PIN~59PIN	48.5	44	20.2	40.4		2,000
60PIN	60.5	56	26.2	52.4		2,000



DESCRIPTION(內容):
FPC0.5mm H:2.0 ZIF
 掀蓋式 下接 (RoHS)

PART NO:
 (料號) **FPC320F0XX-CXR**

DWG NO(圖號): **FPC0521-PK**

DRAWN(製圖):
GONG

CHECKED(確認):
TERESA

APPROVAL(核准):
JOHNNY

GENERAL TOLERANCE:
 (公差)

.X ±0.30
 .XX ±0.20

SCALE(比例):
FREE

REV:
R0

UNIT:
mm

SIZE:
A4

SHEET:
2/2

REV	DESCRIPTION	DATE
R0		2016.06.13
R1		
R2		
R3		

A B C D E CF1164