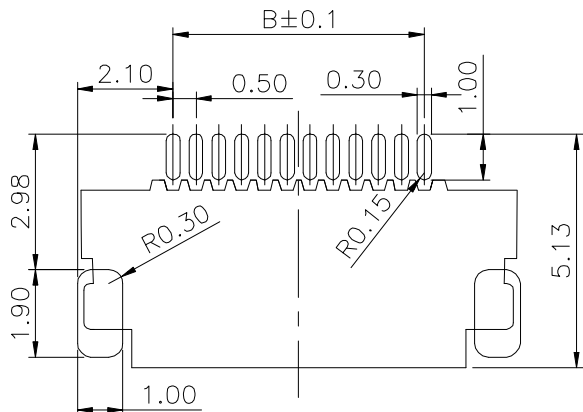
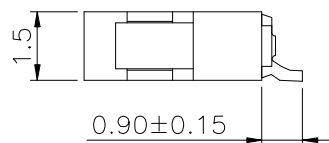
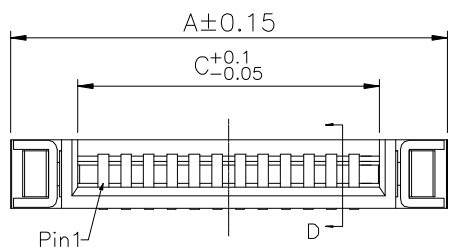
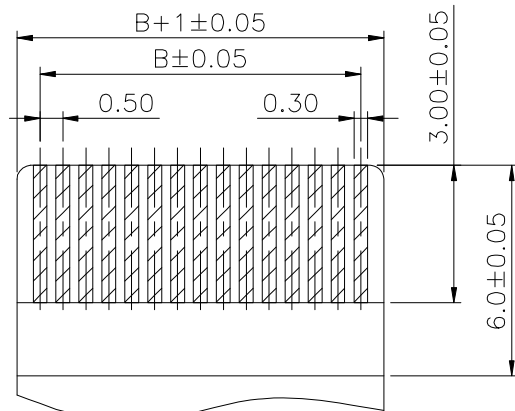


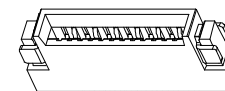
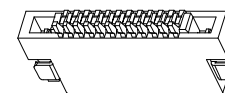
SECTION D-D



(Tolerance:0.05)  
Recommended PCB Layout



FFC/FPC Dimension(Thickness 0.30 mm)



Specifications:  
Rating:  
Current Rating:0.5 Amp  
Voltage Rating:50V AC/DC  
Operating Temperature Range:-25°~+85°C  
Max Processing Temp.:260°C for 5 Seconds

Electrical:  
Contact resistance:20m Ohm Max  
Insulator resistance:500M ohm min.  
Withstanding Voltage:200V AC/Minute

Material And Finish:  
Housing:LCP UL94V-0 Natural  
Terminal:Phosphor Bronze,  
Plating:Tin plated Over Nickel  
Package:In Tape Reel

PART NO.:  
**FPC315N0XX-CTR-CF1337**  
04 ~ 60 PIN



No. of CKTS	A	B	C
04	5.53	1.50	2.57
05	6.03	2.00	3.07
06	6.53	2.50	3.57
07	7.03	3.00	4.07
08	7.53	3.50	4.57
09	8.03	4.00	5.07
10	8.53	4.50	5.57
11	9.03	5.00	6.07
12	9.53	5.50	6.57
13	10.03	6.00	7.07
14	10.53	6.50	7.57
15	11.03	7.00	8.07
16	11.53	7.50	8.57
17	12.03	8.00	9.07
18	12.53	8.50	9.57
19	13.03	9.00	10.07
20	13.53	9.50	10.57
21	14.03	10.00	11.07
22	14.53	10.50	11.57
23	15.03	11.00	12.07
24	15.53	11.50	12.57
25	16.03	12.00	13.07
26	16.53	12.50	13.57
27	17.03	13.00	14.07
28	17.53	13.50	14.57
29	18.03	14.00	15.07
30	18.53	14.50	15.57
31	19.03	15.00	16.07
32	19.53	15.50	16.57
33	20.03	16.00	17.07
34	20.53	16.50	17.57
35	21.03	17.00	18.07
36	21.53	17.50	18.57
37	22.03	18.00	19.07
38	22.53	18.50	19.57
39	23.03	19.00	20.07
40	23.53	19.50	20.57
41	24.03	20.00	21.07
42	24.53	20.50	21.57
43	25.03	21.00	22.07
44	25.53	21.50	22.57
45	26.03	22.00	23.07
46	26.53	22.50	23.57
47	27.03	23.00	24.07
48	27.53	23.50	24.57
49	28.03	24.00	25.07
50	28.53	24.50	25.57
51	29.03	25.00	26.07
52	29.53	25.50	26.57
53	30.03	26.00	27.07
54	30.53	26.50	27.57
55	31.03	27.00	28.07
56	31.53	27.50	28.57
57	32.03	28.00	29.07
58	32.53	28.50	29.57
59	33.03	29.00	30.07
60	33.53	29.50	30.57



DESCRIPTION(內容):  
**FPC 0.5mm H:1.2**  
**W/O ZIF Horizontal SMT Type**  
**(RoHS)**  
PART NO:  
(料號) **FPC315N0XX-CTR-CF1337**  
DWG NO(圖號): **0005121-XX2324**

DRAWN(製圖):  
**GONG**  
CHECKED(確認):  
**TERESA**  
APPROVAL(核准):  
**JOHNNY**

GENERAL TOLERANCE:  
(公差)  
. X ±0.20  
. XX ±0.10  
. XXX ±0.05  
SCALE(比例):  
**FREE**

REV:  
**R0**  
UNIT:  
**mm**  
SIZE:  
**A4**  
SHEET:  
**1/1**

REV  
**R0**  
**R1**  
**R2**  
**R3**

DESCRIPTION  
**2018.08.14**

DATE