

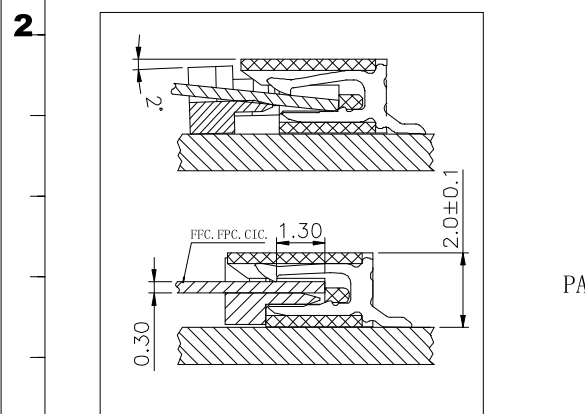
FFC/FPC Dimension(Thickness 0.30 mm)

工程課
107.06.29
確認

Specifications:
Rating:
Current Rating:0.5 Amp
Voltage Rating:50V AC/DC
Operating Temperature Range:-25°C~+85°C

Electrical:
Contact resistance:40m Ohm Max
Insulator resistance:500M ohm min.
Withstanding Voltage:200V AC/Minute

Material And Finish:
Housing:LCP UL94V-0 Natural
Cover(ZIF):LCP UL94V-0 Black
Terminal:Phosphor Bronze,
Fitting Nail:Copper Alloy With Tin Plated.
Plating:Tin plated Over Nickel.



Recommended PCB Layout(Tolerance:0.05)

PART NO. :
FPC220U0XX-CTX-CF1337
T:Tube Packing
R:Tape/Reel Packing

No. of CKTS	A	B	C	D
03	2.00	4.07	9.90	5.45
04	3.00	5.07	10.90	
05	4.00	6.07	11.90	
06	5.00	7.07	12.90	
07	6.00	8.07	13.90	
08	7.00	9.07	14.90	
09	8.00	10.07	15.90	
10	9.00	11.07	16.90	
11	10.00	12.07	17.90	
12	11.00	13.07	18.90	
13	12.00	14.07	19.90	
14	13.00	15.07	20.90	
15	14.00	16.07	21.90	
16	15.00	17.07	22.90	
17	16.00	18.07	23.90	
18	17.00	19.07	24.90	
19	18.00	20.07	25.90	
20	19.00	21.07	26.90	
21	20.00	22.07	27.90	
22	21.00	23.07	28.90	
23	22.00	24.07	29.90	
24	23.00	25.07	30.90	
25	24.00	26.07	31.90	
26	25.00	27.07	32.90	
27	26.00	28.07	33.90	
28	27.00	29.07	34.90	
29	28.00	30.07	35.90	
30	29.00	31.07	36.90	
31	30.00	32.07	37.90	
32	31.00	33.07	38.90	

承洧科技股份有限公司
Cherg Weei Technology Corp.

DESCRIPTION(內容):
FPC 1.0mm 90° SMT TYPE (RoHS)

PART NO:
(料號) FPC220U0XX-CTX-CF1337

DWG NO(圖號): 0010241-XX232X

DRAWN(製圖):
GONG

CHECKED(確認):
TERESA

APPROVAL(核准):
JOHNNY

GENERAL TOLERANCE:
(公差)
. X ±0.20
. XX ±0.10
ANG. ±3°

SCALE(比例):
FREE

REV: R4

UNIT: mm

SIZE: A4

SHEET: 1/1

REV	DESCRIPTION	DATE
R0		2017.09.22
R1	圖面更新	2017.10.16
R2	變更D尺寸	2017.10.17
R3	變更可生產PIN數(原:2~32P)	2018.05.18
R4	變更D尺寸公差(原:±0.03)	2018.06.29