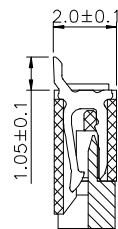
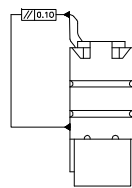
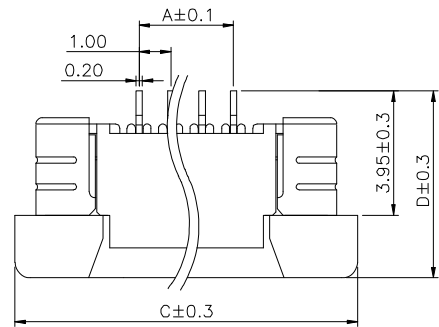


1



Specifications:  
 Rating:  
 Current Rating:0.5 Amp  
 Voltage Rating:50V AC/DC  
 Operating Temperature Range:-25°C~+85°C

Electrical:  
 Contact resistance:40m Ohm Max  
 Insulator resistance:500m ohm min.  
 Withstanding Voltage:200V AC/Minute

Material And Finish:  
 Housing:LCP UL94V-0 Natural  
 Cover(ZIF):LCP UL94V-0 Black  
 Terminal:Phosphor Bronze,  
 Fitting Nail:Copper Alloy With Tin Plated.  
 Plating:Tin plated Over Nickel.

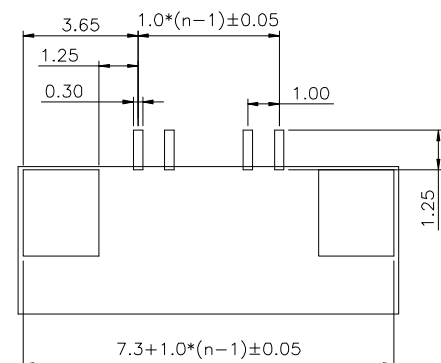
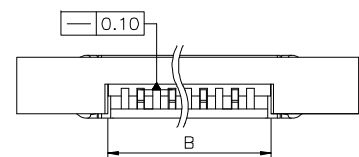
PART NO.:  
**FPC220L0XX-CTX-CF1337**

03 ~ 32 PIN

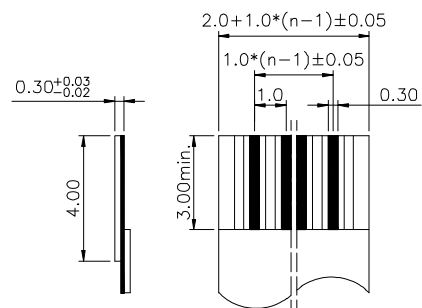
T:Tube Packing  
 R:Tape/Reel Packing



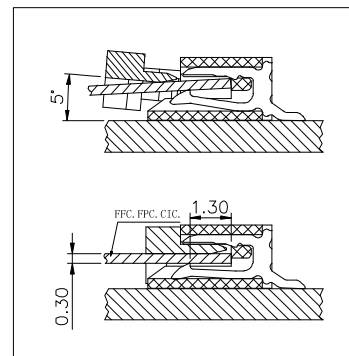
2



Recommended PCB Layout(Tolerance:0.05)



FFC/FPC Dimension(Thickness 0.30 mm)



3

No.	A	B	C	D
03	2.00	4.07	9.90	5.45
04	3.00	5.07	10.90	
05	4.00	6.07	11.90	
06	5.00	7.07	12.90	
07	6.00	8.07	13.90	
08	7.00	9.07	14.90	
09	8.00	10.07	15.90	
10	9.00	11.07	16.90	
11	10.00	12.07	17.90	
12	11.00	13.07	18.90	
13	12.00	14.07	19.90	5.95
14	13.00	15.07	20.90	
15	14.00	16.07	21.90	
16	15.00	17.07	22.90	
17	16.00	18.07	23.90	
18	17.00	19.07	24.90	
19	18.00	20.07	25.90	
20	19.00	21.07	26.90	
21	20.00	22.07	27.90	
22	21.00	23.07	28.90	
23	22.00	24.07	29.90	
24	23.00	25.07	30.90	
25	24.00	26.07	31.90	
26	25.00	27.07	32.90	
27	26.00	28.07	33.90	
28	27.00	29.07	34.90	
29	28.00	30.07	35.90	
30	29.00	31.07	36.90	
31	30.00	32.07	37.90	
32	31.00	33.07	38.90	

1

2

3



DESCRIPTION(內容):  
**FPC 1.0mm H:2.0**  
**W/ZIF Horizontal SMT Type**  
**Lower Contact Type(RoHS)**  
 PART NO:  
 (料號) **FPC220L0XX-CTX-CF1337**  
 DWG NO(圖號): 0010242-XX2303

DRAWN(製圖):  
**GONG**  
 CHECKED(確認):  
**TERESA**  
 APPROVAL(核准):  
**JOHNNY**

GENERAL TOLERANCE:  
 (公差)  
 . X ±0.20  
 . XX ±0.10  
 ANG. ±3°  
 SCALE(比例):  
**FREE**

REV: **R2**  
 UNIT: **mm**  
 SIZE: **A4**  
 SHEET: **1/1**

REV	DESCRIPTION	DATE
R0		2018.04.18
R1	變更D尺寸公差(原:±0.03)	2018.06.29
R2	變更HOUSING顏色(原:BLACK)	2018.07.25
R3		

A

B

C

D

E