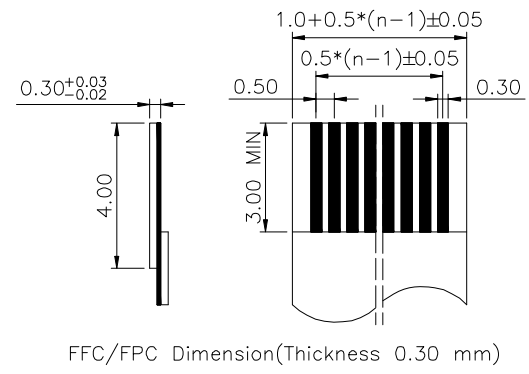
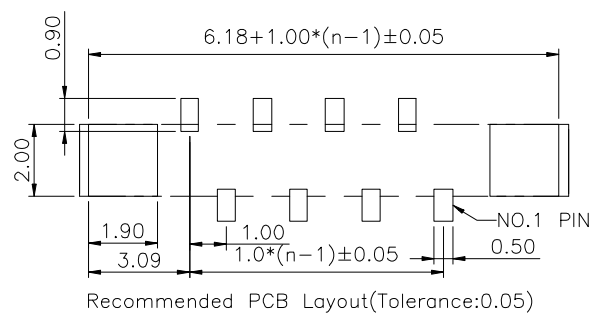
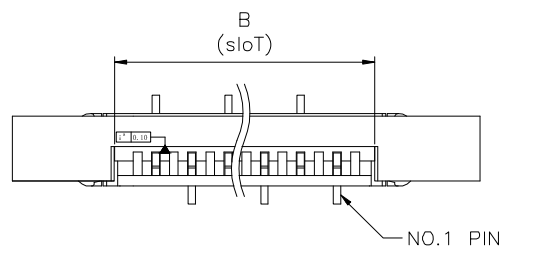
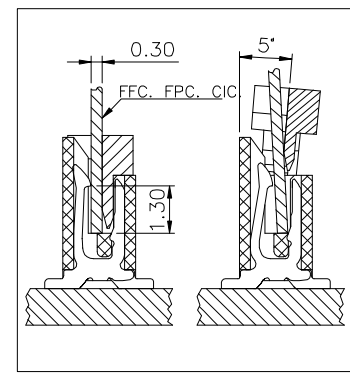
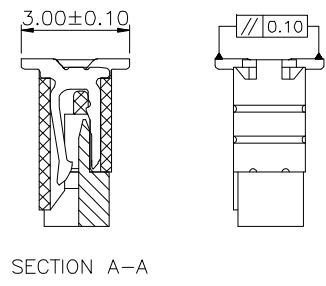
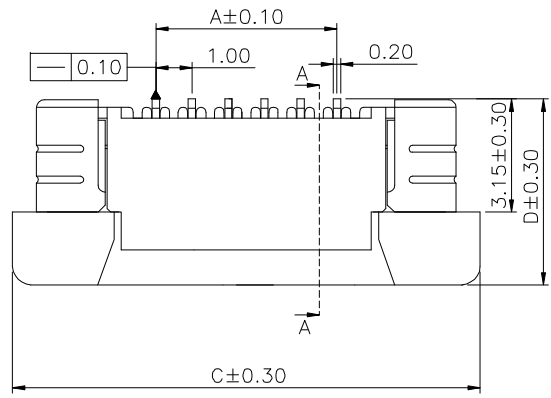


Specifications:
 Rating:
 Current Rating:0.5 Amp
 Voltage Rating:50V AC/DC
 Operating Temperature Range:-20~+85°C
 Max Processing Temp.:260°C for 5 Seconds

Electrical:
 Contact resistance:40m Ohm Max
 Insulator resistance:800M ohm min.
 Withstanding Voltage:200V AC/Minute

Material And Finish:
 Housing:LCP UL94V-0 Natural
 Cover(ZIF):LCP UL94V-0 Black
 Terminal:Phosphor Bronze,
 Fitting Nail:Copper Alloy With Tin Plated.
 Plating:Tin plated Over Nickel



No.	A	B	C	D
04	3.00	5.17	10.90	4.65
05	4.00	6.17	11.90	4.65
06	5.00	7.17	12.90	4.65
07	6.00	8.17	13.90	4.65
08	7.00	9.17	14.90	4.65
09	8.00	10.17	15.90	4.65
10	9.00	11.17	16.90	4.65
11	10.00	12.17	17.90	4.65
12	11.00	13.17	18.90	4.65
13	12.00	14.17	19.90	4.65
14	13.00	15.17	20.90	4.65
15	14.00	16.17	21.90	5.15
16	15.00	17.17	22.90	5.15
17	16.00	18.17	23.90	5.15
18	17.00	19.17	24.90	5.15

No.	A	B	C	D
19	18.00	20.17	25.90	5.15
20	19.00	21.17	26.90	5.15
21	20.00	22.17	27.90	5.15
22	21.00	23.17	28.90	5.15
23	22.00	24.17	29.90	5.15
24	23.00	25.17	30.90	5.15
25	24.00	26.17	31.90	5.15
26	25.00	27.17	32.90	5.15
27	26.00	28.17	33.90	5.15
28	27.00	29.17	34.90	5.15
29	28.00	30.17	35.90	5.15
30	29.00	31.17	36.90	5.15
31	30.00	32.17	37.90	5.15
32	31.00	33.17	38.90	5.15



DESCRIPTION(内容): FPC 1.0mm Pitch W/ZIF Vertical SMT Type(RoHS) PART NO: (料號) FPC220B0XX-CTT-CF1337 DWG NO(圖號): 0010234-XX2321	DRAWN(製圖): GONG	GENERAL TOLERANCE: (公差) . X ±0.20 . XX ±0.10 ANG. ±3°	REV: R0	REV R0 R1 R2 R3	DESCRIPTION	DATE 2018.12.04
	CHECKED(確認): TERESA		UNIT: mm			
	APPROVAL(核准): JOHNNY	SCALE(比例): FREE	SIZE: A4			
			SHEET: 1/1			