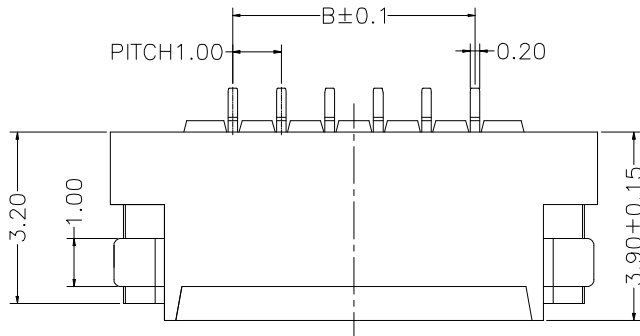
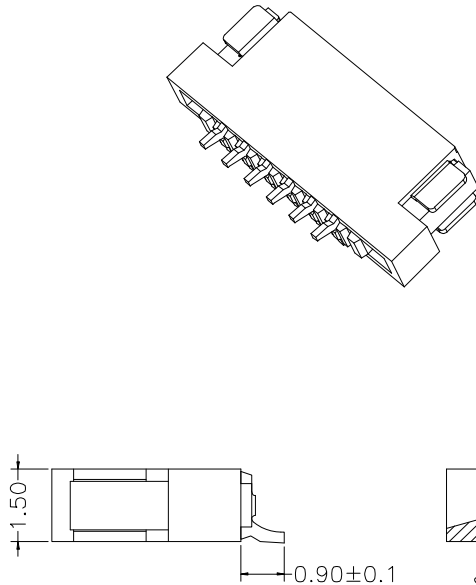
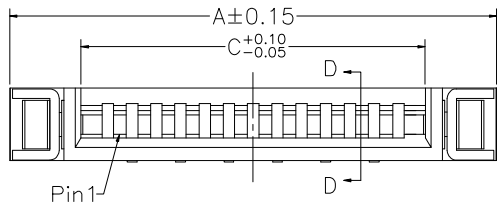


1



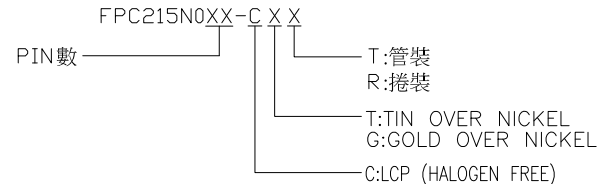
2



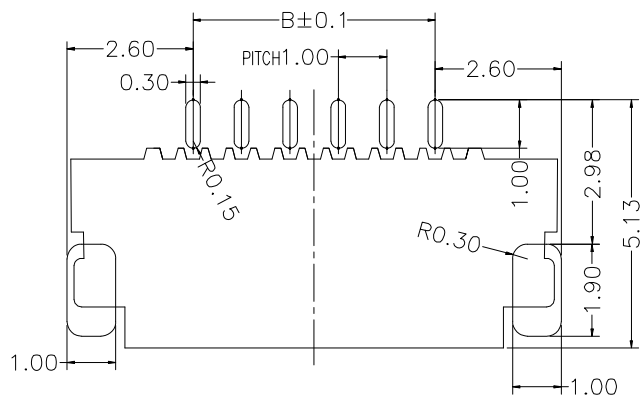
SECTION D-D

NOTE:

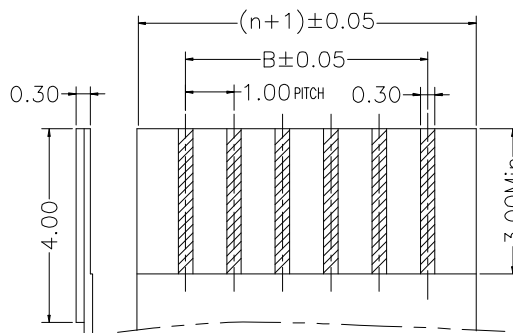
- 1.MATERIAL  
HOUSING:LCP UL 94-V0 /HALOGEN FREE  
Color:Natural  
CONTACTS:BRASS T=0.20  
LEG:BRASS T=0.20
- 2.PLATING:  
CONTACTS:TIN OVER NICKEL  
LEG:TIN OVER NICKEL
- 3.RATING  
Operating Voltage:50V AC/DC  
Current Rating:0.5A AC/DC  
Operating Temperature:-40°C~+105°C
- 4.PART NO:



2



Recommended P.C.B Layout



Applicable FPC

PART NO.	Dimension		
	A	B	C
04P	8.03	3.00	5.07
05P	9.03	4.00	6.07
06P	10.03	5.00	7.07
07P	11.03	6.00	8.07
08P	12.03	7.00	9.07
09P	13.03	8.00	10.07
10P	14.03	9.00	11.07
11P	15.03	10.00	12.07
12P	16.03	11.00	13.07
13P	17.03	12.00	14.07
14P	18.03	13.00	15.07
15P	19.03	14.00	16.07
16P	20.03	15.00	17.07
17P	21.03	16.00	18.07

PART NO.	Dimension		
	A	B	C
18P	22.03	17.00	19.07
19P	23.03	18.00	20.07
20P	24.03	19.00	21.07
21P	25.03	20.00	22.07
22P	26.03	21.00	23.07
23P	27.03	22.00	24.07
24P	28.03	23.00	25.07
25P	29.03	24.00	26.07
26P	30.03	25.00	27.07
27P	31.03	26.00	28.07
28P	32.03	27.00	29.07
29P	33.03	28.00	30.07
30P	34.03	29.00	31.07

3



DESCRIPTION(內容):  
**FPC 1.0 H1.5 ZONZIF**  
雙接觸直插式 (HF)/(0.3排線)

PART NO:  
(料號) **FPC215N0XX-CXX**  
DWG NO(圖號): **GBL123-XXR-TAND-2**

DRAWN(製圖):  
**GONG**  
CHECKED(確認):  
**TERESA**  
APPROVAL(核准):  
**JOHNNY**

GENERAL TOLERANCE:  
(公差)  
.X ±0.15  
.XX ±0.10  
SCALE(比例):  
**FREE**

REV:  
**R4**  
UNIT:  
**mm**  
SIZE:  
**A4**  
SHEET:  
**1/1**

REV	DESCRIPTION	DATE
<b>R0</b>	RELEASE	<b>2012.4.30</b>
<b>R1</b>	新增①尺寸之公差	<b>2012.5.18</b>
<b>R2</b>	替換料號:(原:FPC-123-XXR-TRND-2)	<b>2013.9.17</b>
<b>R3</b>	修改②尺寸(原1.5),取消NY46選項	<b>2014.10.01</b>
<b>R4</b>	圖面更新	<b>2019.02.12</b>

A

B

C

D

E