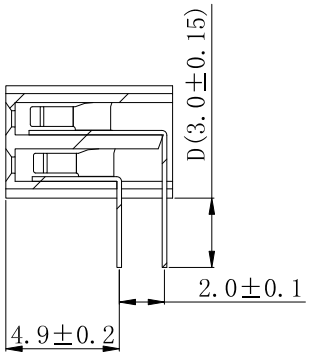
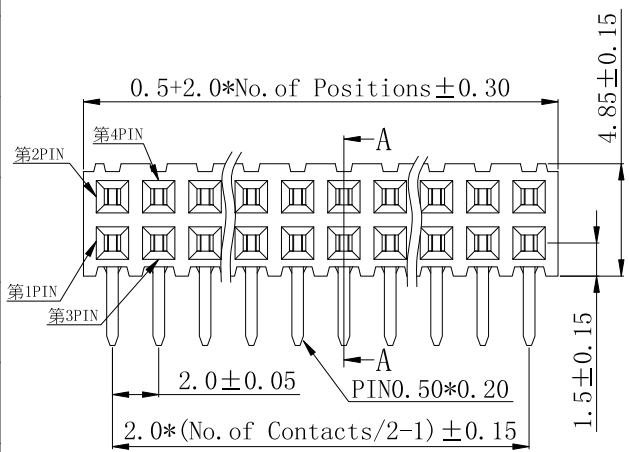


P. C. B. Hole Layout

Specifications

- Current Rating : 2 Amp
- Insulator Resistance : 3000 Megohms Min.
- Contact Resistance : 20 m ohms max.
- Dielectric Withstanding : AC 500 V
- Operating Temperature : -40°C ~ +105°C
- Contact Material : Phosphor Bronze.
- Insulator Material : Polyester, UL 94V-0
- Standard : PA-46/NL-6T
- Finish: Tin, Gold or Duplex Plated
- Standard: Gold Flash all over
- Note:
Duplex plating: Gold Plated on contact area,
Tin on solder area



SECTION A-A

Series	Connector Type	Contact Plating	Material	Pin Length mm	Number of Contacts
F405	X	X	X	DXXX	-XX
(Female Header Dual Row) F405 (2.00 H: 7.2)	R: Right Angle	G: Gold Flash T: Tin Plated A: 10U" Gold B: 15U" Gold C: 20U" Gold ©Duplex Plating D: Gold Flash/Tin (Standard: G)	A: PA46 N: Nylon-6T (Standard: A)	R-D D030 Standard: R-D030	(04 TO 80 Contacts)



DESCRIPTION(內容): 2.0mm Female Header H:7.20 W:4.85 90° 波浪型排母(RoHS)	DRAWN(製圖): 鄧文廣	GENERAL TOLERANCE:(公差): .X .XXX .XX .X° .XXX .XX°	REV: A/1 UNIT: mm SIZE: A4 SHEET: 1/1	REV 1 2 3 4	DESCRIPTION △此符號表示重點管控尺寸	DATE 2017.08.04
	CHECKED(確認): 鄧文廣	APPROVAL(核准): Jimmy	SCALE(比例): 1:XX			
	PART NO:(料號): F405-RG_-D030-XX					
	DWG NO(圖號):					