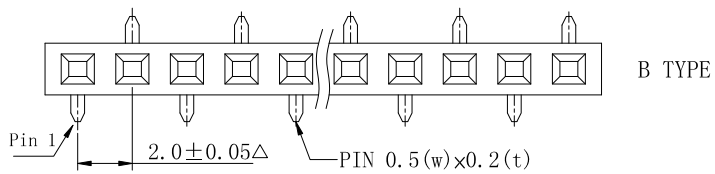
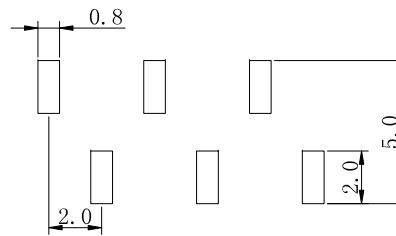
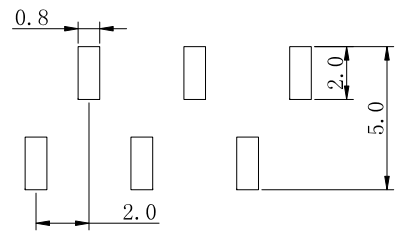


A TYPE



B TYPE

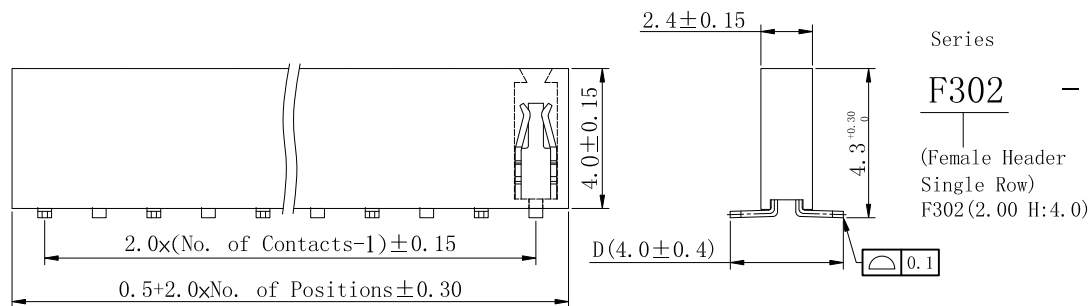
B TYPE



P.C.B. Hole Layout

Specifications

Current Rating	: 2 Amp
Insulator Resistance	: 3000 Megohms Min.
Contact Resistance	: 20 m ohms max.
Dielectric Withstanding	: AC 500 V
Operating Temperature	: -40 °C ~ +105 °C
Soldering Temperature	: 260 °C for 3~5sec Max.
Contact Material	: Phosphor Bronze.
Insulator Material	: Polyester, UL 94V-0
Standard	: Nylon-6T/Nylon-9T/LCP
Finish	: Tin, Gold or Duplex Plated
Standard	: Gold Flash all over
Note:	
Duplex plating:	Gold Plated on contact area, Tin on solder area



Series
F302
(Female Header
Single Row)
F302 (2.00 H: 4.0)

Connector
Type
X
M: SMT Type

Contact
Plating
X
G: Gold Flash
T: Tin Plated
A: 10U" Gold
B: 15U" Gold
C: 20U" Gold
© Duplex Plating
D: Gold Flash/Tin
(Standard: G)

Material
X
N: Nylon-6T
N1: Nylon-9T
C: LCP
(Standard: N)

Pin Length mm
DXXX
M-D
D040
(Standard: M-D040)

Number of
Contacts
-XX
(02 TO 40
Contacts)

Other
-XT
AT: TYPE A
BT: TYPE B



DESCRIPTION(內容):
2.0mm Female Header H:4.0 W:2.4 SMT (RoHS)

PART NO:
(料號) **F302-MG_-D040-XX-XT**

DWG NO(圖號):

DRAWN(製圖):
鄧文廣

CHECKED(確認):
鄧文廣

APPROVAL(核准):
Jimmy

GENERAL TOLERANCE:
(公差)

.X	.XXXX
.XX	.X °
.XXX	.XX °

SCALE(比例):
1:XX

REV: A/1	REV	DESCRIPTION	DATE
UNIT: mm	1	△此符號表示重點管控尺寸	2017.10.19
SIZE: A4	2		
SHEET: 1/1	3		
	4		