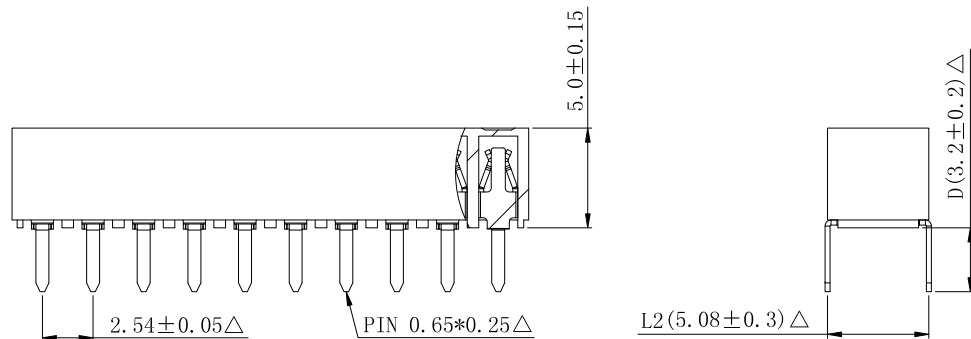
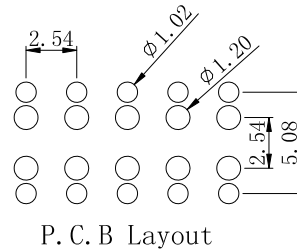
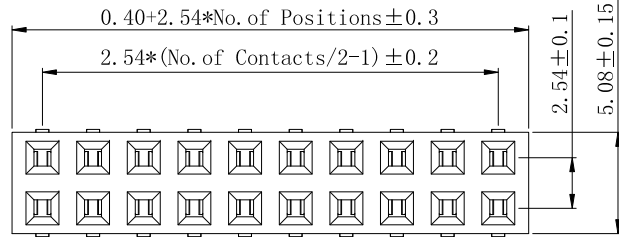


Specifications

Current Rating	: 3 Amps
Insulator Resistance	: 5000 Megohms Min.
Contact Resistance	: 20 m ohms max.
Dielectric Withstanding	: AC 1000 V
Operating Temperature	: -40°C ~ +105°C
Contact Material	: Phosphor Bronze
Insulator Material	: Polyester, UL 94V-0
Standard	: Nylon-6T/PBT/LCP
Finish: Tin, Gold or Duplex Plated	
Standard: Gold Flash all over	



Series	Connector Type	Contact Plating	Material	Pin Length mm	Number of Contacts
F294	X	X	X	DXXX	-XX
(Female Header Dual Row) F294 (2.54 H:5.0 With stand off)	L: 蜈蚣腳 L2: 5.08MM	G: Gold Flash T: Tin Plated A: 10U"Gold B: 15U"Gold C: 20U"Gold ©Duplex Plating D: Gold Flash/Tin (Standard:G)	P: PBT N: Nylon-6T C: LCP (Standard:N)	L-D D032 (Standard:L-D032)	(04 TO 80 Contacts)



DESCRIPTION(內容):
2.54mm Female Header H:5.0 W:5.08
蜈蚣腳排母(RoHS)

PART NO:
(料號) **F294-L2G_-D032-XX**
DWG NO(圖號): RDA170524-001

DRAWN(製圖): 邓文广
CHECKED(確認): 黄炳秋

APPROVAL(核准): 邓文广

GENERAL TOLERANCE:
(公差)
.X .XXXX
.XX .X°
.XXX .XX°
SCALE(比例): 1:XX

REV: **A/1**
UNIT: **mm**
SIZE: **A4**
SHEET: **1/1**

REV	DESCRIPTION	DATE
1	△此符號表示重點管控尺寸	2017.05.24
2		
3		
4		