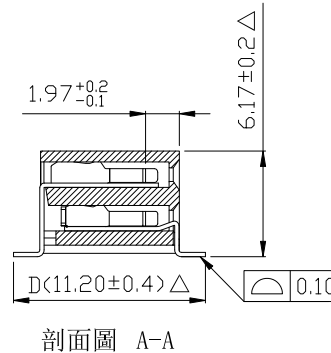
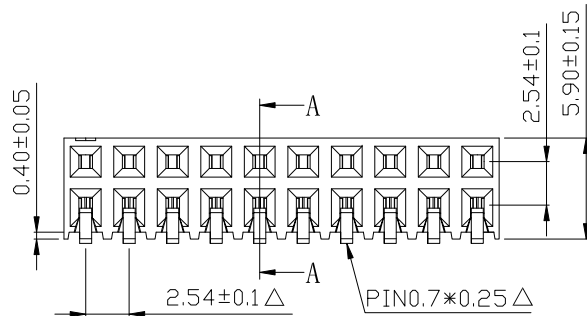
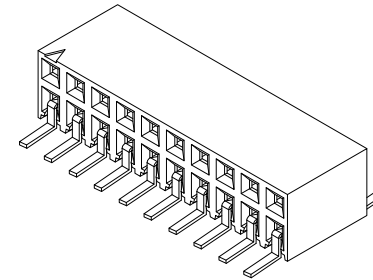


Specifications
 Current Rating : 3 Amps
 Insulator Resistance : 5000 Megohms Min.
 Contact Resistance : 20 m ohms max.
 Dielectric Withstanding : AC 1000 V
 Operating Temperature : -40° C ~ +105°C
 Soldering Temperature : 260° C for 3~5sec Max.
 Contact Material : Phosphor Bronze
 Insulator Material : Polyester, UL 94V-0
 Standard : Nylon-6T/Nylon-9T/LCP
 Finish: Tin, Gold or Duplex Plated
 Standard: Gold Flash all over



Series	Connector type	Contact Plating	Material	Pin Length mm	Number of Contacts
F208	-	X	X	DXXX	- XX
(Female Header Single series) F208 (2.54 H: 8.1 W: 5.9)	M: SMT TYPE	G: Gold Flash T: Tin Plated A: 10U Gold B: 15U Gold C: 20U Gold © Duplex Plating D: Gold Flash/Tin (Standard: G)	N: Nylon-6T N1: Nylon-9T C: LCP (Standard: N)	M-D D112	(04 TO 80 Contacts)



DESCRIPTION(内容):
2.54mm Female Header H:8.1 W:5.9 SMT (RoHS)
 PART NO:
 (料 號) **F208-MG_-D112-XX**
 DWG NO(圖號):

DRAWN(製圖):
 鄧文廣
 CHECKED(確認):
 黃炳秋
 APPROVAL(核准):
 鄧文廣

GENERAL TOLERANCE:
 (公差)
 .X .XXX
 .XX .X°
 .XXX .XX°
 SCALE(比例):
 1:XX

REV: **A/1**
 UNIT: **mm**
 SIZE: **A4**
 SHEET: **1/1**

REV	DESCRIPTION	DATE
1	△此符號表示重點管控尺寸	2018.06.06
2		
3		
4		