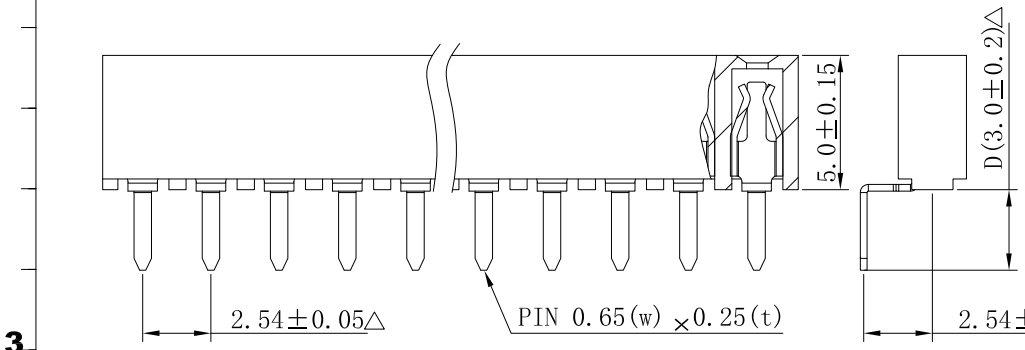
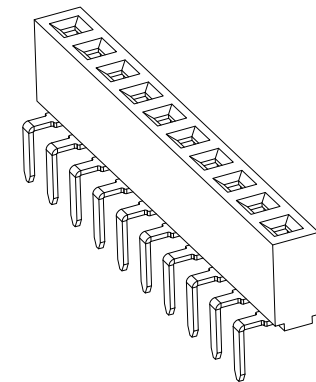


### Specifications

Current Rating	:3 Amps
Insulator Resistance	:5000 Megohms Min.
Contact Resistance	:20 m ohms max.
Dielectric Withstanding	:AC 1000 V
Operating Temperature	:-40 °C ~ +105°C
Contact Material	:Phosphor Bronze
Insulator Material	:Polyester, UL 94V-0
Standard	:P. B. T
Finish: Tin, Gold or Duplex Plated	
Standard: Gold Flash all over	



Series	Connector Type	Contact Plating	Material	Pin Length mm	Number of Contacts
<b>F194</b>	<b>X</b>	<b>X</b>	<b>X</b>	<b>DXXX</b>	<b>-XX</b>
(Female Header Single Row) F194 (2.54 H:5.0 W:2.54)	L:Pitch Type	G:Gold Flash T: Tin Plated A: 10U"Gold B: 15U"Gold C: 20U"Gold ©Duplex Plating D:Gold Flash/Tin (Standard:G)	P:PBT C:LCP N:Nylon-6T NI:Nylon-9T (Standard:L-D030) (Standard:P)	L-D D030	(02 TO 40 Contacts)



<b>DESCRIPTION(內容):</b> <b>2.54mm Female Header H:5.0 W:2.54 (RoHS)</b> PART NO: (料號) <b>F194-LG_-D030-XX</b> DWG NO(圖號):	<b>DRAWN(製圖):</b> 邓文广	<b>GENERAL TOLERANCE:</b> (公差) .X .XXXX .XX .X° .XXX .XX°	<b>REV:</b> <b>A/1</b>	<b>REV</b>	<b>DESCRIPTION</b>	<b>DATE</b>	
	<b>CHECKED(確認):</b> 邓文广	<b>SCALE(比例):</b> 1:XX		<b>UNIT:</b> <b>mm</b>	<b>1</b>	△此符號表示重點管控尺寸	<b>2019.11.13</b>
	<b>APPROVAL(核准):</b> Jimmy			<b>SIZE:</b> <b>A4</b>	<b>2</b>		
				<b>SHEET:</b> <b>1/1</b>	<b>3</b>		
				<b>4</b>			