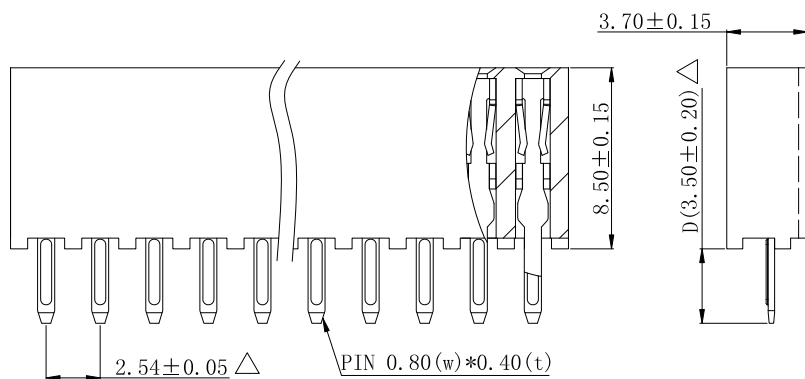
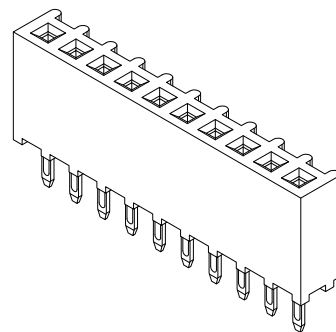


Specifications

Current Rating	:3 Amps
Insulator Resistance	:5000 Megohms Min.
Contact Resistance	:20 m ohms max.
Dielectric Withstanding	:AC 1000 V
Operating Temperature	:-40°C ~ +105°C
Contact Material	:Phosphor Bronze
Insulator Material	:Polyester, UL 94V-0
Standard	:P. B. T
Finish:	Tin, Gold or Duplex Plated
Standard:	Gold Flash all over



Series	Connector Type	Contact Plating	Material	Pin Length mm	Number of Contacts
F192	X	X	X	DXXX	XX
(Female Header Single Row) F192 (2.54 H:8.5 W:3.7)	S: Straight Type	G: Gold Flash T: Tin Plated A: 10U"Gold B: 15U"Gold C: 20U"Gold ©Duplex Plating D: Gold Flash/Tin (Standard:G)	P: PBT N: Nylon-6T (Standard:P)	S-D D035 (Standard:S-D035)	(02 TO 40 Contacts)



DESCRIPTION(內容):
2.54mm Female Header 180° H:8.5
W:3.70 波浪型(RoHS)

PART NO:
(料號) F192-SG_-D035-XX

DWG NO(圖號):

DRAWN(製圖):
劉建平

CHECKED(確認):
黃炳秋

APPROVAL(核准):
鄧文廣

GENERAL TOLERANCE:
(公差)

.X .XXX
.XX .X°
.XXX .XX°

SCALE(比例):
XX:XX

REV:
A/4

UNIT:
mm

SIZE:
A4

SHEET:
1/1

REV

1

2

3
4

DESCRIPTION

△此符號表示重點管控尺寸
舊料號: CCPBA830S01x3
舊料號: F101-XXSGP-D035-W1

變更端子規格

(3C): 刪除尺寸8.2 ± 0.15

DATE

2005.08.13

2005.12.04
2006.06.10

2007.06.17

2007.07.05