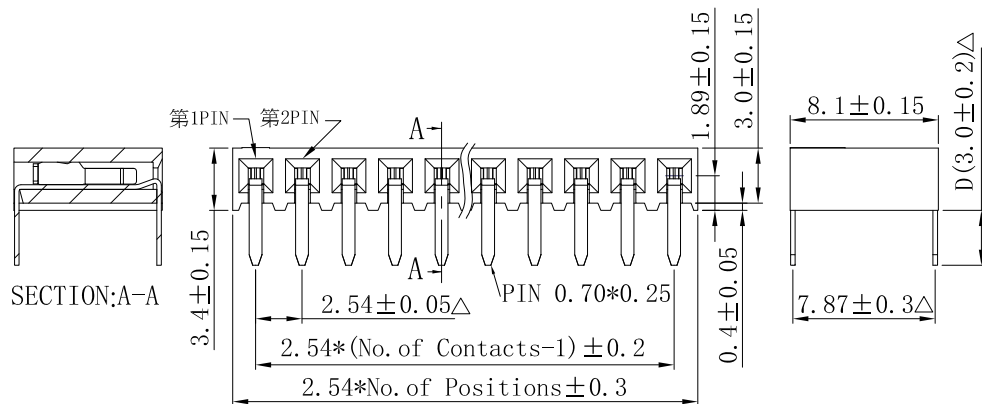
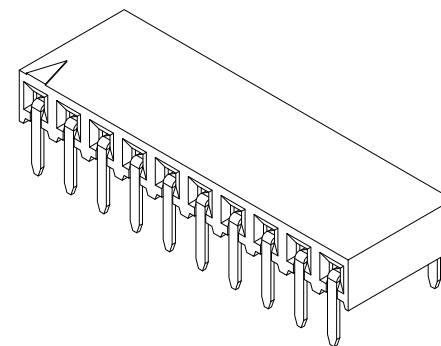


P. C. B Layout

Specifications

Current Rating	:3 Amps
Insulator Resistance	:5000 Megohms Min.
Contact Resistance	:20 m ohms max.
Dielectric Withstanding	:AC 1000 V
Operating Temperature	:-40°C ~ +105°C
Contact Material	:Phosphor Bronze
Insulator Material	:Polyester, UL 94V-0
Standard	:Nylon-6T
Finish: Tin, Gold or Duplex Plated	
Standard: Gold Flash all over	



Series	Connector Type	Contact Plating	Material	Pin Length	Number of Contacts
F108	X	X	X	DXXX	-XX
(Female Header Single Row)	R:Right Angle	G:Gold Flash T:Tin Plated	P:PBT C:LCP N:Nylon-6T NI:Nylon-9T (Standard:N)	R-D D030 (Standard:R-D030)	(02 TO 40 Contacts)
F108(2.54 H:8.1 W:3.4)		A:10U"Gold B:15U"Gold C:20U"Gold E:3U"Gold			
		©Duplex Plating D:Gold Flash/Tin (Standard:G)			



DESCRIPTION(內容):
2.54mm Female Header H:8.1 W:3.4
單排側插 (RoHS)

PART NO:
(料號) **F108-RG_-D030-XX**

DWG NO(圖號):

DRAWN(製圖):
鄧文廣

CHECKED(確認):
鄧文廣

APPROVAL(核准):
Jimmy

GENERAL TOLERANCE:
(公差)

.X .XXXX
.XX .X°
.XXX .XX°

SCALE(比例):
1:XX

REV:
A/1

UNIT:
mm

SIZE:
A4

SHEET:
1/1

REV

1

2

3

DESCRIPTION

△此符號表示重點管控尺寸

DATE

2019.11.13