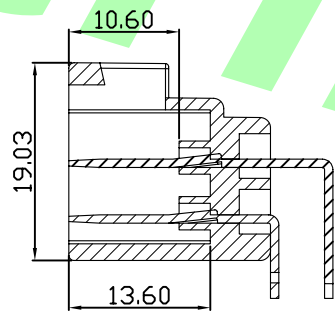
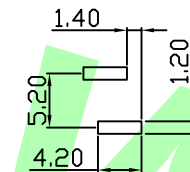
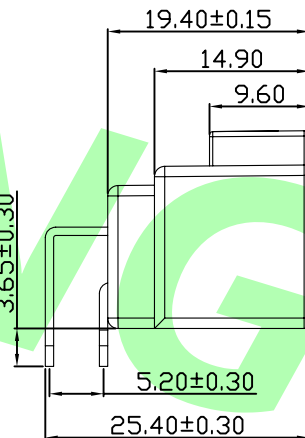
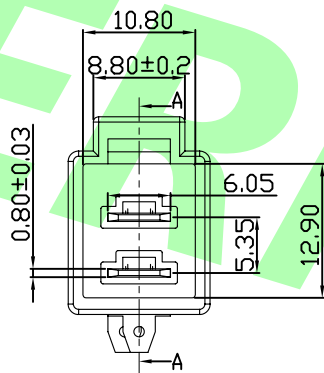


Specifications

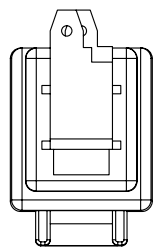
Current Rating	: 25A AC, DC
Voltage Rating	: 250V AC, DC
Temperature range	: -25°C ~ +85°C
Contact Resistance	: 20 m ohms max.
Insulator Resistance	: 1000 Megohms Min.
Withstanding voltage	: 1500V AC/minute
Housing Material	: Nylon-66 UL 94V-0
Color	: Beige
Contact Material	: Brass
Finished	: Tin 100u"~150u" Plated, Over Nickel 30u"~50u" Plated



剖面 A-A



P. C. B LAYOUT



DESCRIPTION(內容):
8.9 mm Wafer 90度 Nylon-66 米黄色
(環保材料)

PART NO:
(料號) **CW890R-02-AA**
DWG NO(圖號):

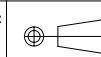
DRAWN(製圖):
黃炳秋

CHECKED(確認):

APPROVAL(核准):

GENERAL TOLERANCE:
(公差)
.X ±0.20
.XX ±0.15
.XXX ±0.1

SCALE(比例):
1:XX



REV:
A/2
UNIT:
mm
SIZE:
A4
SHEET:
1/1

REV
1
2
3
4

DESCRIPTION
更新圖面尺寸及電氣性能說明

DATE
2010.12.07
2013.12.20