

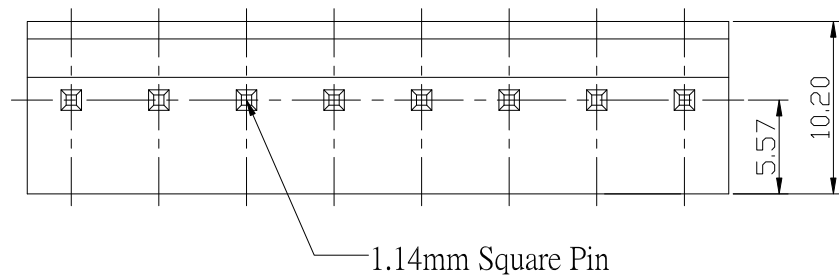
A

B

C

D

E



SPECIFICATIONS

Electrical

Voltage Rating: 250V(AC)

Current Rating: 5A

Contact Resistance: 20mΩ max.

Dielectric Withstand Voltage: 1000V AC/1min.

Insulation Resistance: 1000MΩ min.

Material

Insulator: Nylon 66, UL94V-2

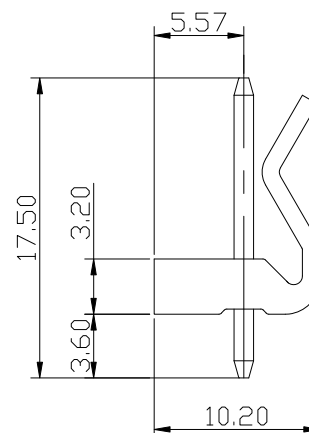
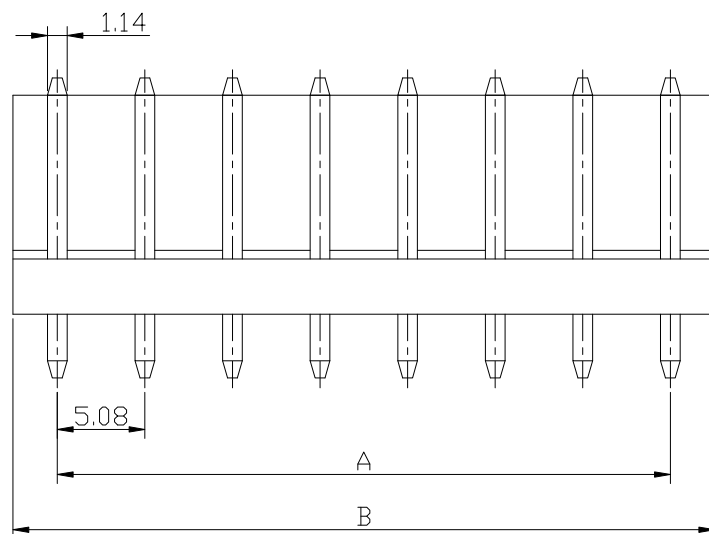
Color: Natural

Contact: Brass 1.14mm(0.45") Square Wire Pins

Plating: Tin Plated

Temperature Range: -25°C ~ +85°C

1



1

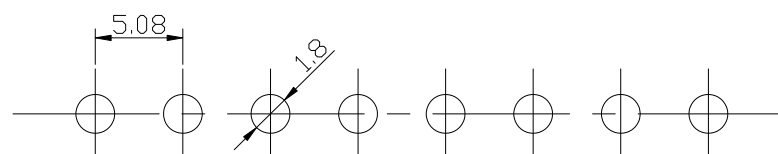
2

Poles	Dimension (公差)		Part NO.
	A	B	
02	5.08	10.22	CW-W508-02
03	10.16	15.30	CW-W508-03
04	15.24	20.38	CW-W508-04
05	20.32	25.46	CW-W508-05
06	25.40	30.54	CW-W508-06
07	30.48	35.62	CW-W508-07
08	35.56	40.70	CW-W508-08
09	40.64	45.78	CW-W508-09
10	45.72	50.86	CW-W508-10



2

3

RECOMMENDED P.C.BOARD HOLE DIM.

3



承洧科技股份有限公司
Cherg Weei Technology Corp.

DESCRIPTION(內容):
5.08mm Wire-to-Board Header
DIP 180° Type(RoHS)

PART NO:
(料 號) CW-W508-XX
DWG NO(圖號): 5081-XX-ST

DRAWN(製圖):
mandy
CHECKED(確認):
MANDY
APPROVAL(核准):
JOHNNY

GENERAL TOLERANCE:
(公差)
X.XX ± 0.3
X.X ± 0.5
SCALE(比例):
FREE

REV:
R3
UNIT:
mm
SIZE:
A4
SHEET:
1/1

REV	DESCRIPTION	DATE
R0	RELEASE 導入RoHS	2006.03.20 2006.06.29
R1	變更環保章字樣	2006.09.06
R2	可量產Pin數:2-10, 不再量產:12Pin.	2009.03.17
R3	2014年Pin數料號編碼統一	2014.09.17

A

B

C

D

E