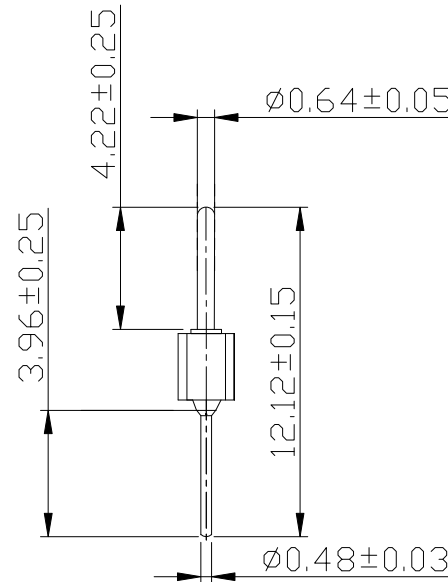
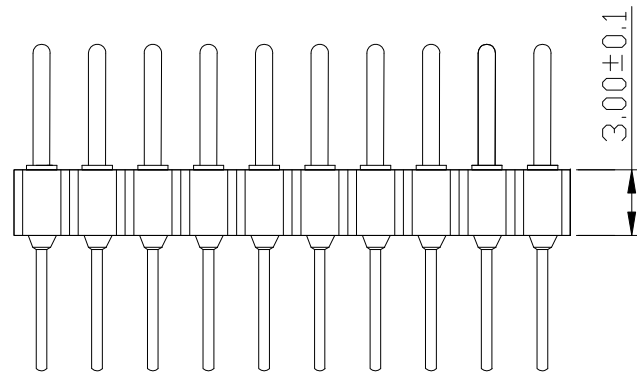


Technical Data:  
 Material:  
 Insulator body(housing):PPS (Black UL94V-0)  
 Pin:Brass, machined, Hpb59-1  
 Plating:>30u" Cu/>100u" Tin plated  
 Electrical:  
 Current rating:3 Amps/contact max  
 Insulation resistance:>1000MΩ at V=100V min  
 Operating:60 Veff  
 Mechanical:  
 Operating temperature:Tin plated:-40°C ~ +105°C  
 Soldering temperature:+260°C ,10s max.



No of contacts	Dim/mm	Dim/mm	No of contacts	Dim/mm	Dim/mm
	A	B		A	B
1X01	—	2.54	1X21	50.80	53.34
1X02	2.54	5.08	1X22	53.34	55.88
1X03	5.08	7.62	1X23	55.88	58.42
1X04	7.62	10.16	1X24	58.42	60.96
1X05	10.16	12.70	1X25	60.96	63.50
1X06	12.70	15.24	1X26	63.50	66.04
1X07	15.24	17.78	1X27	66.04	68.58
1X08	17.78	20.32	1X28	68.58	71.12
1X09	20.32	22.86	1X29	71.12	73.66
1X10	22.86	25.40	1X30	73.66	76.20
1X11	25.40	27.94	1X31	76.20	78.74
1X12	27.94	30.48	1X32	78.74	81.28
1X13	30.48	33.02	1X33	81.28	83.82
1X14	33.02	35.56	1X34	83.82	86.36
1X15	35.56	38.10	1X35	86.36	88.90
1X16	38.10	40.64	1X36	88.90	91.44
1X17	40.64	43.18	1X37	91.44	93.98
1X18	43.18	45.72	1X38	93.98	96.52
1X19	45.72	48.26	1X39	96.52	99.06
1X20	48.26	50.80	1X40	99.06	101.6



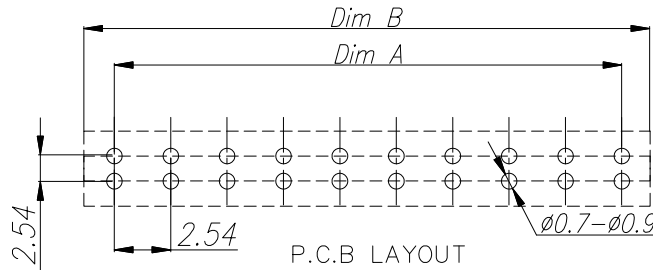
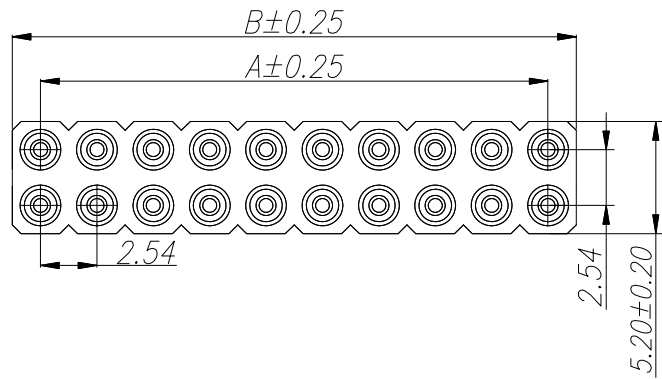
DESCRIPTION(內容):  
**SIP Socket Single row Tin plated for both side(RoHS)**

PART NO:  
 (料號) **CSIPM25401x\_-CF787**  
 DWG NO(圖號): **ILMSXX-A3**

DRAWN(製圖):  
**GONG**  
 CHECKED(確認):  
**TERESA**  
 APPROVAL(核准):  
**JOHNNY**

GENERAL TOLERANCE:  
 (公差) **± 0.15**  
 SCALE(比例):  
**1:XX**

REV: R6	REV	DESCRIPTION	DATE
UNIT: mm	R0	RELEASE 導入RoHS	2005.10.20 2006.07.05
SIZE: A4	R1	2007年圖面版本更新	2007.04.14
SHEET: 1/1	R2	修正公差	2009.01.07
	R3	變更圖號(原:ILMSXXG3/12.12)	2014.10.14
	R4	圖面更新	2017.05.31
	R5	圖面更新	2018.06.28
	R6	圖面更新	2018.10.16



Technical Data:

Material:

Insulator body (housing): PPS (Black UL94V-0)

Pin: Brass, machined, C3602

Plating: >30u" Cu / >100u" Tin plated

Electrical:

Current rating: 3 Amps/contact max

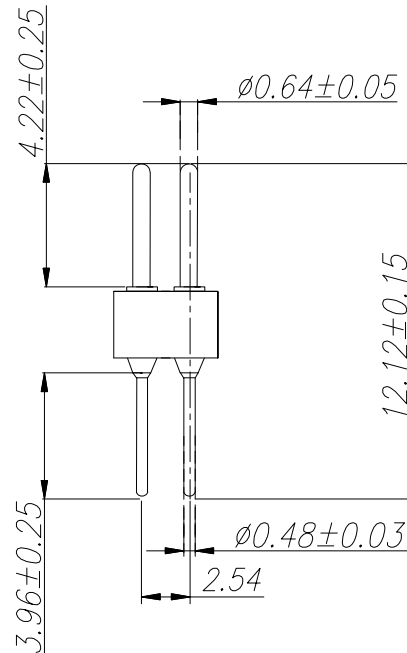
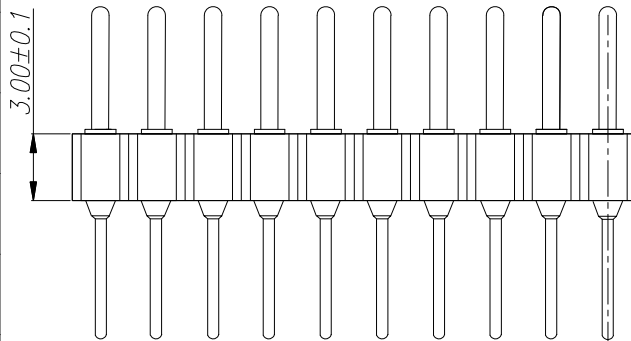
Insulation resistance: >1000MΩ at V=100V min

Operating: 60 Veff

Mechanical:

Operating temperature: Tin plated: -40°C ~ +105°C

Soldering temperature: +260°C, 10s max.



No of contacts	Dim/mm		No of contacts	Dim/mm	
	A	B		A	B
2X01	—	2.54	2X21	50.80	53.34
2X02	2.54	5.08	2X22	53.34	55.88
2X03	5.08	7.62	2X23	55.88	58.42
2X04	7.62	10.16	2X24	58.42	60.96
2X05	10.16	12.70	2X25	60.96	63.50
2X06	12.70	15.24	2X26	63.50	66.04
2X07	15.24	17.78	2X27	66.04	68.58
2X08	17.78	20.32	2X28	68.58	71.12
2X09	20.32	22.86	2X29	71.12	73.66
2X10	22.86	25.40	2X30	73.66	76.20
2X11	25.40	27.94	2X31	76.20	78.74
2X12	27.94	30.48	2X32	78.74	81.28
2X13	30.48	33.02	2X33	81.28	83.82
2X14	33.02	35.56	2X34	83.82	86.36
2X15	35.56	38.10	2X35	86.36	88.90
2X16	38.10	40.64	2X36	88.90	91.44
2X17	40.64	43.18	2X37	91.44	93.98
2X18	43.18	45.72	2X38	93.98	96.52
2X19	45.72	48.26	2X39	96.52	99.06
2X20	48.26	50.80	2X40	99.06	101.6



DESCRIPTION(内容):  
SIP Socket Dual row Tin plated  
for both side(RoHS)

PART NO:  
(料 號) CSIPM25402xXX-CF787

DWG NO(圖號): ILMDXX-A3

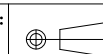
DRAWN(製圖):  
GONG  
CHECKED(確認):  
TERESA

APPROVAL(核准):  
JOHNNY

GENERAL TOLERANCE:  
(公差)

±0.15

SCALE(比例):  
1:XX



REV:  
R3  
UNIT:  
mm  
SIZE:  
A4  
SHEET:  
1/1

REV  
R0  
R1  
R2  
R3

DESCRIPTION

RELEASE(RoHS)

修正公差

修正側式圖

更新圖面、圖號(原:ILMDXXG3)

DATE

2007.04.14

2009.01.07

2011.03.28

2017.08.25