

ELECTRICAL SPECIFICATIONS @ 25°C unless otherwise noted:

Insertion Loss: 1-100MHZ -1.0dB MAX

Return Loss: 1-30MHZ -16.0dB MIN
30-60MHZ -14.0dB MIN
60-80MHZ -10.0dB MIN

Cross Talk: 1-30MHZ -40.0dB MIN
30-60MHZ -35.0dB MIN
60-80MHZ -30.0dB MIN

CMR: 1M-100MHZ -35dB MIN

Hi-Pot: 1500v AC 6S 1mA

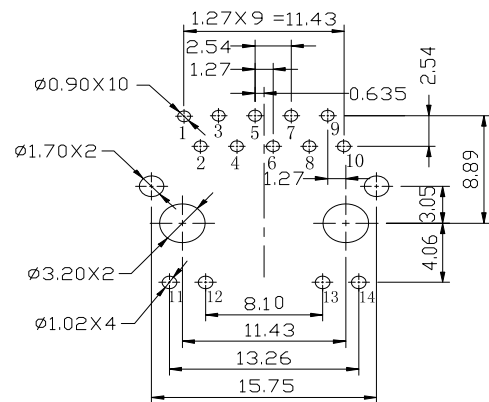
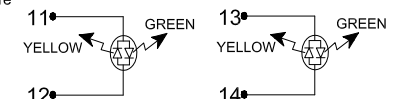
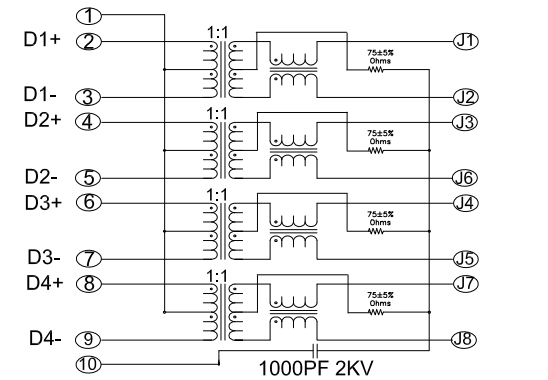
Turn Ratio: 1CT:1CT+/-3%

OCL:350uH MIN @ 100KHZ 100mV 8mA DC

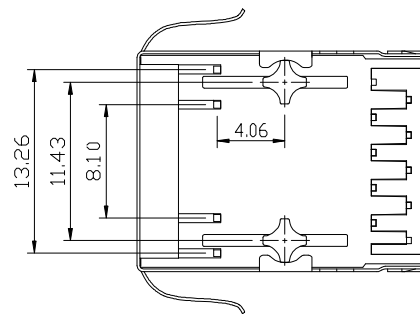
Contacts: 0.35mm thick phos bronze plated with 6u' gold in contact are

Housing Material:PBT Black

Operating temperature range:-40°C~+85°C



SUGGESTED PCB LAYOUT (TOP VIEW)



DESCRIPTION(內容):
PCB JACK RJ45 + Transformer
左綠黃/右綠黃 (RoHS)

PART NO:
(料 號) **CRJ-111Q106DG1A1D**
DWG NO(圖號): **DGKYD111Q106DG1A1D**

DRAWN(製圖):
GONG
CHECKED(確認):
TERESA
APPROVAL(核准):
JOHNNY

GENERAL TOLERANCE:
(公差)
. X ±0.30
. XX ±0.20
. XXX ±0.13

SCALE(比例):
FREE

REV:
R0
UNIT:
mm
SIZE:
A4
SHEET:
1/1

REV	DESCRIPTION	DATE
R0		2016.08.23
R1		
R2		
R3		