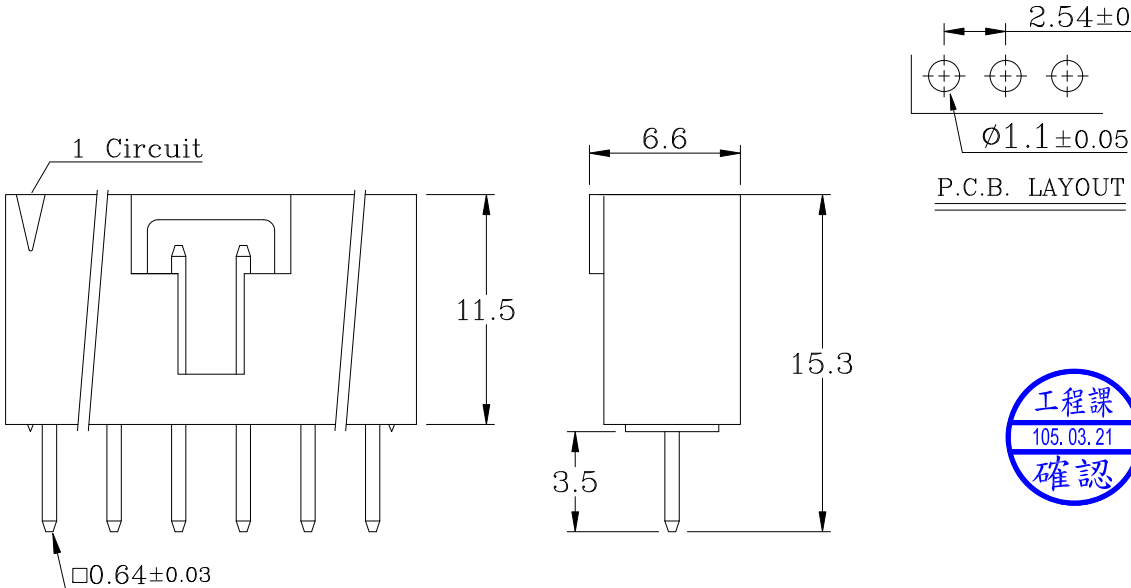
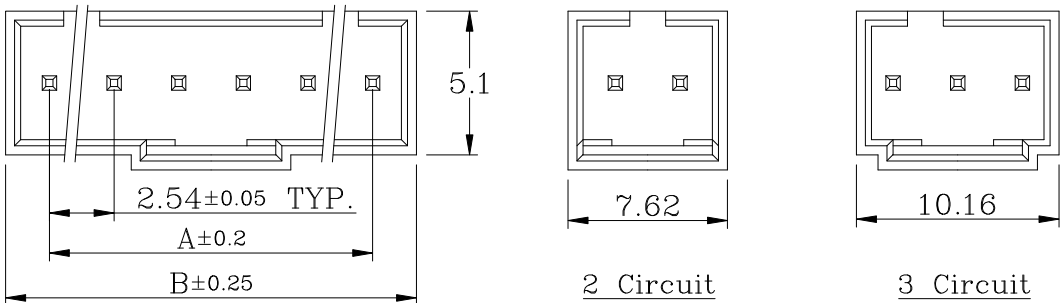


Specifications:

- Material:
Base: Polyester 94V-0, PBT+30% glass-filled
Contact: Brass, Gold-Plated
- Voltage Rating: 250V
- Current Rating: 3A
- Withstand Voltage: 1000V AC/Minute
- Insulation Resistance: 1000MΩ min.
- Temperature Range: -25°C~+85°C
- Contact Resistance: Initial value/10mΩ max.
After environmental testing/20mΩ max.



Dimensional & Ordering Information:

Circuits	Part No	Dimensions mm	
		A	B
02	CPU-02S	2.54	7.62
03	CPU-03S	5.08	10.16
04	CPU-04S	7.62	12.70
05	CPU-05S	10.16	15.24
06	CPU-06S	12.70	17.78
07	CPU-07S	15.24	20.32
08	CPU-08S	17.78	22.86
09	CPU-09S	20.32	25.40
10	CPU-10S	22.86	27.94
11	CPU-11S	25.40	30.48
12	CPU-12S	27.94	33.02



DESCRIPTION(內容):
2.54mm (.100") Pitch Wire-to-Board Header(RoHS)

PART NO:
(料號) CPU-XXS

DWG NO(圖號): 2545-ST

DRAWN(製圖):
jamie

CHECKED(確認):
MANDY

APPROVAL(核准):
JOHNNY

GENERAL TOLERANCE:
(公差)
.00: ±0.15
.0: ±0.25

SCALE(比例):
FREE

REV: **R2**

UNIT: **mm**

SIZE: **A4**

SHEET: **1/1**

REV	DESCRIPTION	DATE
R0	環保料	2007.08.11
R1	2007年圖面版本更新	2007.10.09
R2	變更電鍍成份	2008.05.08
R3		