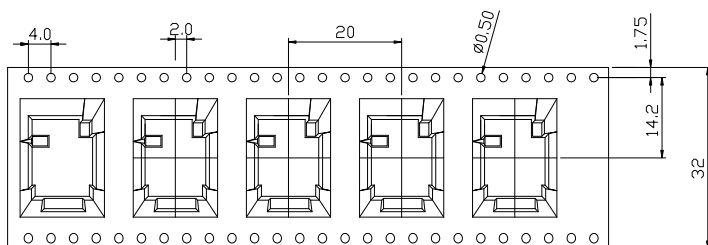
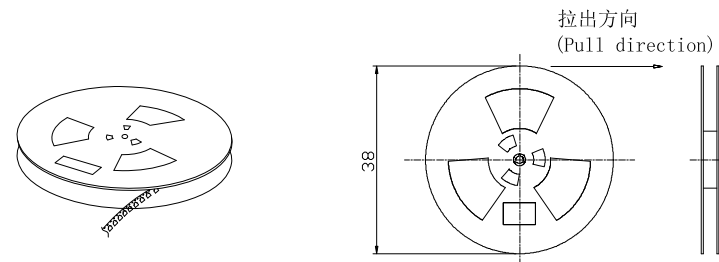
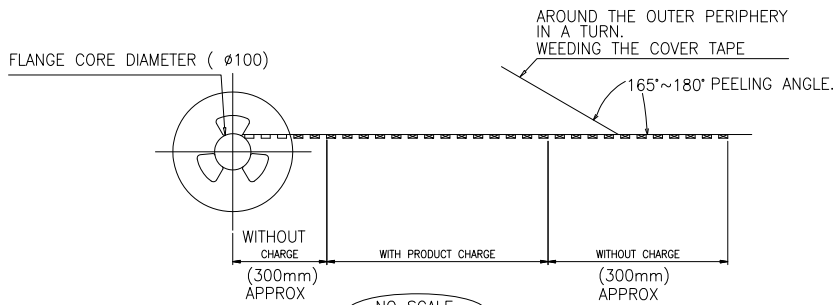


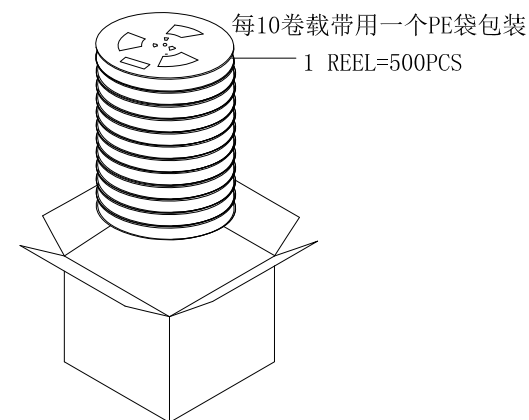
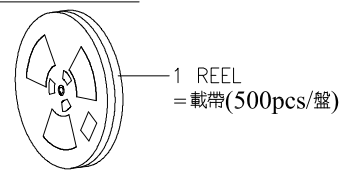
SPECIFICATION:

- Electrical characteristics
 - 1-1: Voltage rating: DC 30V.
 - 1-2: Current rating: 0.5A
 - 1-3: Contact resistance: 30mΩ Max.(Initial)
After test: 50mΩ Max.
 - 1-4: Insulation resistance: 100MΩ Min.(500V DC).
 - 1-5: Withstanding voltage: 500V AC.
- Mechanical characteristics
 - 2-1: Life test: 5000 cycles
 - 2-2: Mating force: 3-30N
Unmating force: 3-30N
- Salt Spray: Matte Tin Area 8 hours, Gold nickel Area 24 hours,
- Wave Solder 265°C, 3-5 sec.
IR Reflow, Peak Temp 230-250°C, 20-90 sec.

NO.	DESCRIPTION	QTY	MATERIAL	REMARK
Ⓜ	Housing	1	PA10T	Black, UL 94V-0
Ⓒ	Shell	1	SUS304	Nickel 50u" Plating All Over
Ⓣ	CONTACT 5	1	BRONZE	Gold Flash Plating At Contact Area; Matte-TIN Plating At Solder Tail Area; Nickel 50u" Under Plating All Over
ⓔ	CONTACT 4	1	BRONZE Insert Molding(PA10T)	Gold Flash Plating At Contact Area and Solder Tail Area; Nickel 50u" Under Plating All Over
ⓓ	CONTACT 6	1	BRONZE	Gold (Gold Flash) Plating At Contact Area;
Ⓒ	CONTACT 3	1	BRONZE	Matte-TIN Plating At Solder Tail Area;
Ⓑ	CONTACT 2	1	BRONZE	Nickel Under Plating All Over
Ⓐ	CONTACT 1	1	BRONZE	



Reel外观尺寸



1. 包裝數量: 500PCS/卷.
2. 外箱規格: 38.5*38.5*38cm.

PACKAGE INFORMATION

PART NUMBER	Q'TY PER REEL	REEL PER BOX	Q'TY PER BOX
CPJ-D3048A	500 PCS	10 R	5000 PCS



DESCRIPTION(內容):
PHONE JACK φ3.6 90° (RoHS)

PART NO:
(料號) CPJ-D3048A

DWG NO(圖號): PJ-D3048A

DRAWN(製圖):
GONG

CHECKED(確認):
TERESA

APPROVAL(核准):
JOHNNY

GENERAL TOLERANCE:(公差)

XX ±0.30
XX ±0.20

SCALE(比例):
FREE

REV: R1

UNIT: mm

SIZE: A4

SHEET: 2/2

REV	DESCRIPTION	DATE
R0		2018.04.12
R1	變更料號(原:CPJ-D3048-3.5)、圖號(原:PJ-D3048-3.5)	2018.12.18
R2		
R3		