

Specification

Electrical

Voltage rating: 250V DC/AC

Current Rating: 5.0A AC, DC

Insulation Resistance: 1000MΩ/ min.

Dielectric Withstanding Voltage: 1500V AC/ min.

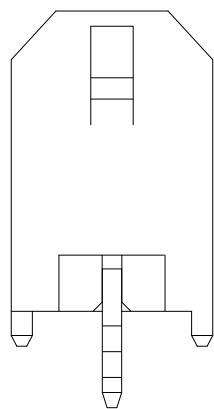
Contact Resistance: 10mΩ/ Max.

Physical

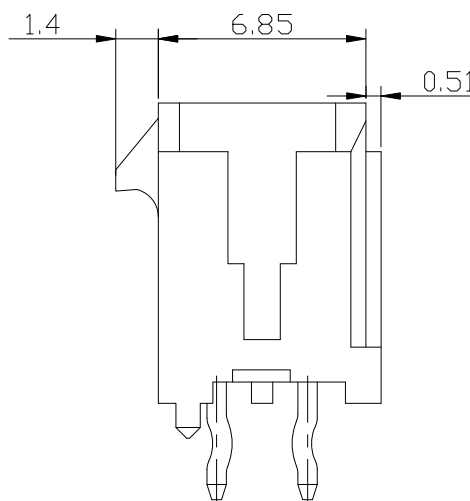
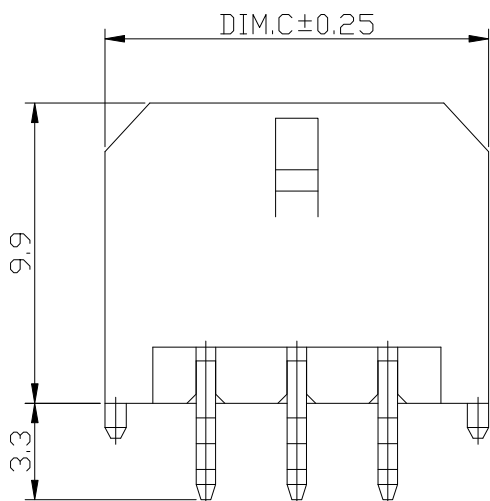
Plastic: LCP ,UL94V-0 / (Black)

Contact: Brass/Tin Plated

Operating Temp.: -25°C ~ +105°C



2X01PIN



Part No.	Dimension mm		
	A	B	C
CMF-W300-2X01C-CF438	—	6.00	6.70
CMF-W300-2X02C-CF438	3.00	9.00	9.65
CMF-W300-2X03C-CF438	6.00	12.00	12.65
CMF-W300-2X04C-CF438	9.00	15.00	15.65
CMF-W300-2X05C-CF438	12.00	18.00	18.65
CMF-W300-2X06C-CF438	15.00	21.00	21.65
CMF-W300-2X07C-CF438	18.00	24.00	24.65
CMF-W300-2X08C-CF438	21.00	27.00	27.65
CMF-W300-2X09C-CF438	24.00	30.00	30.65
CMF-W300-2X10C-CF438	27.00	33.00	33.65
CMF-W300-2X11C-CF438	30.00	36.00	36.65
CMF-W300-2X12C-CF438	33.00	39.00	39.65



DESCRIPTION(内容):
**WAFER MICRO FIT 3.0mm
 Dual Row DIP 180°TYPE(RoHS)**

PART NO:
 (料 號) **CMF-W300-2xXXC-CF438**

DWG NO(圖號):

DRAWN(製圖):
 黄炳秋

CHECKED(確認):
 鄧文廣

APPROVAL(核准):
 Jimmy

GENERAL TOLERANCE:
 (公差)
 X.XX ± 0.2
 X.X ± 0.3

SCALE(比例):
FREE

REV:	REV	DESCRIPTION	DATE
A2			
UNIT:	1		2017.07.27
mm	2	增加2X01PIN视图	2017.07.27
SIZE:	3		
A4	4		
SHEET:			
1/1			