

SUGGESTED PCB LAYOUT

ELECTRICAL SPECIFICATIONS @ 25°C unless otherwise noted:

Insertion Loss: 1-100MHZ -1.0dB MAX

Return Loss: 1-30MHZ -16.0dB MIN  
 30-60MHZ -14.0dB MIN  
 60-80MHZ -10.0dB MIN

Cross Talk: 1-30MHZ -40.0dB MIN  
 30-60MHZ -35.0dB MIN  
 60-80MHZ -30.0dB MIN

CMR: 1M-100MHZ -35dB MIN

Hi-Pot: 1500v AC 6S 1mA

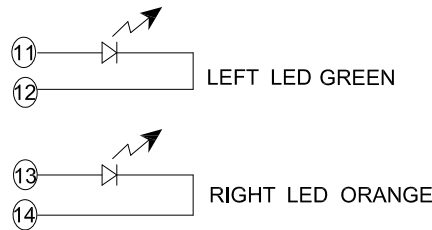
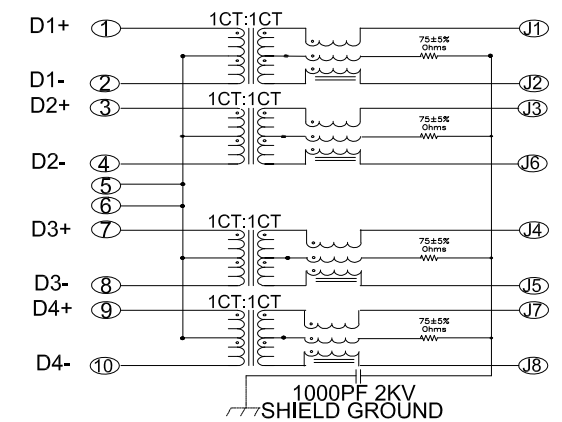
Turn Ratio: 1CT:1CT+/-3%

OCL:350uH MIN @ 100KHZ 100mV 8mA DC

Contacts: 0.35mm thick phos bronze plated with 6u' gold in contact are

Housing Material:PBT Black

Operating temperature range:-40°C-+85°C



DESCRIPTION(內容):	DRAWN(製圖):	GENERAL TOLERANCE:	REV:	REV	DESCRIPTION	DATE
RJ45 + Transformer 1x4 左綠右黃 (RoHS)	GONG	.00 ±0.25	R1	R0	RELEASE	2015.09.09
	CHECKED(確認):	.000 ±0.13	UNIT: mm	R1	更換確認章	2019.07.12
PART NO: (料號) CKRJ-4204GOZQNL	TERESA	SCALE(比例):	SIZE: A4	R2		
DWG NO(圖號): KRJ-4204GOZQNL	APPROVAL(核准):	FREE	SHEET: 1/1	R3		
	JOHNNY					