

ELECTRICAL SPECIFICATIONS @ 25°C unless otherwise noted:

Insertion Loss: 1-100MHZ -1.0dB MAX

Return Loss: 1-30MHZ -16.0dB MIN  
30-60MHZ -14.0dB MIN  
60-80MHZ -10.0dB MIN

Cross Talk: 1-30MHZ -40.0dB MIN  
30-60MHZ -35.0dB MIN  
60-80MHZ -30.0dB MIN

CMR: 1-100MHZ -35.0dB MIN

Hi-Pot: 1500v AC 6S 1mA

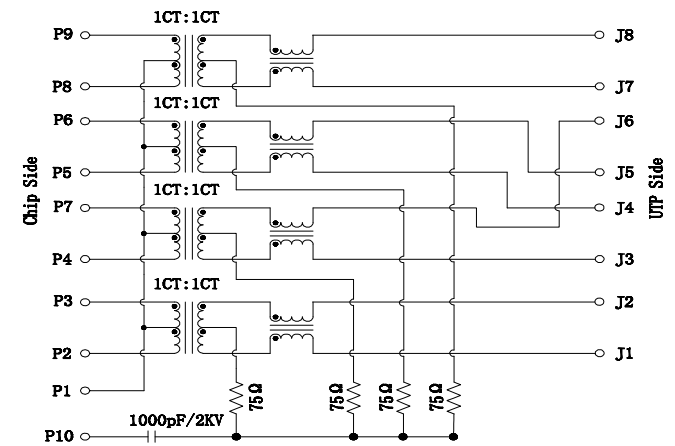
Turn Ratio: 1CT:1CT+/-3%

OCL:350uH MIN @ 100KHZ 100mV 8mA DC

Contacts: 0.35mm thick phos bronze plated with 6u' gold in contact are

Housing Material: PBT Black

Operating temperature range: -40°C to +70°C



DESCRIPTION(內容):  
**RJ45 + Transformer**  
左綠右黃(RoHS)

PART NO:  
(料 號) CKRJ-320DNL  
DWG NO(圖號): KRJ-320DNL

DRAWN(製圖):  
**GONG**  
CHECKED(確認):  
**TERESA**  
APPROVAL(核准):  
**JOHNNY**

GENERAL TOLERANCE:  
(公差)  
.XX ±0.25  
.XXX ±0.15  
SCALE(比例):  
**FREE**

REV:  
**R1**  
UNIT:  
**mm**  
SIZE:  
**A4**  
SHEET:  
**1/1**

REV	DESCRIPTION	DATE
R0	RELEASE	2015.09.10
R1	變更工作溫度範圍(原:0°C~+70°C)	2016.01.25
R2		
R3		