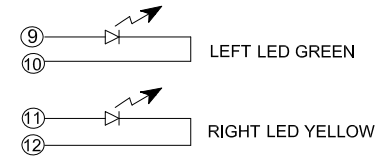
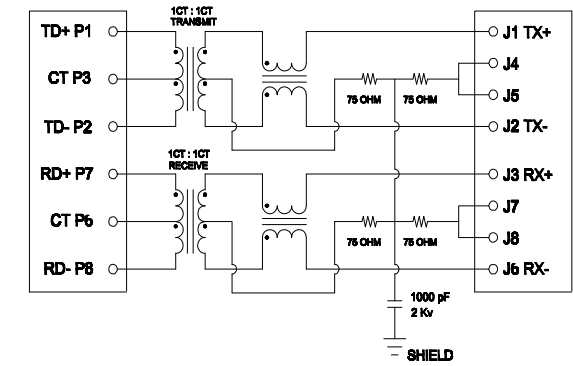


**ELECTRICAL SPECIFICATIONS @ 25°C unless otherwise noted:**

- Insertion Loss: 1-100MHZ -1.0dB MAX
- Return Loss: 1-30MHZ -16.0dB MIN  
30-60MHZ -14.0dB MIN  
60-80MHZ -10.0dB MIN
- Cross Talk: 1-30MHZ -40.0dB MIN  
30-60MHZ -35.0dB MIN  
60-80MHZ -30.0dB MIN
- CMR: 1-100MHZ -35.0dB MIN
- Hi-Pot: 1500v AC 6S 1mA
- Turn Ratio: 1CT:1CT+/-3%
- OCL:350uH MIN @ 100KHZ 100mV 8mA DC
- Contacts: 0.35mm thick phos bronze plated with 6u" gold in contact are
- Housing Material: PBT Black
- Operating temperature range: -40°C to +70°C



<b>DESCRIPTION(內容):</b> <b>RJ45 + Transformer</b> 左綠右黃(RoHS)	<b>DRAWN(製圖):</b> GONG	<b>GENERAL TOLERANCE:</b> (公差) .XX ±0.25 .XXX ±0.15	<b>REV:</b> <b>R1</b>	<b>REV</b>	<b>DESCRIPTION</b>	<b>DATE</b>	
	<b>CHECKED(確認):</b> TERESA		<b>UNIT:</b> mm	<b>R0</b>			RELEASE
	<b>PART NO:</b> (料號) CKRJ-13GYZNL	<b>APPROVAL(核准):</b>	<b>SCALE(比例):</b> FREE	<b>SIZE:</b> A4	<b>R1</b>	變更工作溫度範圍(原:0°C~+70°C)	<b>2016.01.25</b>
	<b>DWG NO(圖號):</b> KRJ-13GYZNL	JOHNNY		<b>SHEET:</b> 1/1	<b>R2</b>		
			<b>R3</b>				