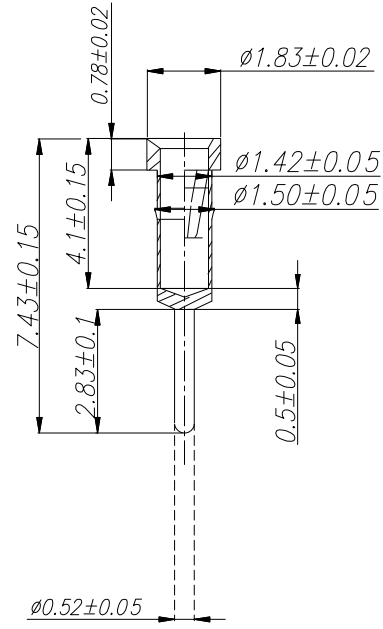
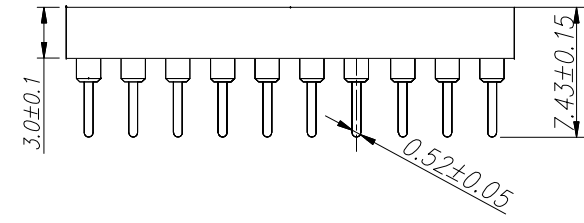
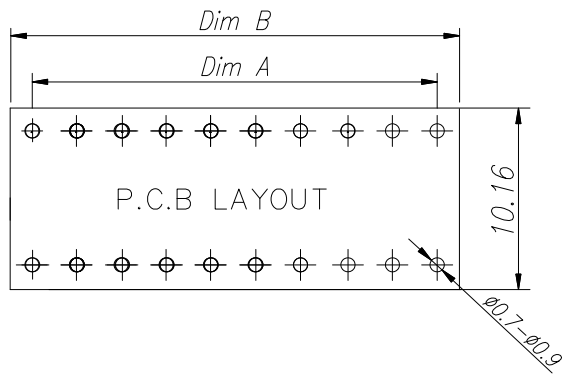


TECHNICAL DATA:
 MATERIAL:
 INSULATOR BODY (HOUSING) : PBT/UL-94V-0, COLOR: BLACK
 PIN (OUTSLEEVE) : BRASS, MACHINED, CuZn38Pb2
 TIN PLATED: NICKEL PLATED/100~150u" TIN PLATED
 CLIP (4 FINGER) : BERYLLIUM COPPER

ELECTRICAL:
 CURRENT RATING: 3 AMPS/CONTACT MAX
 INSULATION RESISTANCE: >1000MΩ AT V=100V
 OPERATING: 60 VEFF
 MECHANICAL:
 OPERATING TEMPERATURE: TIN PLATED: -40°C ~ +105°C



PART NO.	BAR	No of contacts	Dim A/mm	Dim B/mm
CIS25403006R-CF787	no bar	06	5.08	7.62
CIS25403008R-CF787	no bar	08	7.62	10.16
CIS25403010R-CF787	no bar	10	10.16	12.70
CIS25403012R-CF787	no bar	12	12.70	15.24
CIS25403014R-CF787	no bar	14	15.24	17.78
CIS25403016R-CF787	no bar	16	17.78	20.32
CIS25403018R-CF787	with bar	18	20.32	22.86
CIS25403020R-CF787	with bar	20	22.86	25.40
CIS25403022R-CF787	with bar	22	25.40	27.94
CIS25403024R-CF787	with bar	24	27.94	30.48
CIS25403028R-CF787	with bar	28	33.02	35.56
CIS25403032R-CF787	with bar/2	32	38.10	40.64



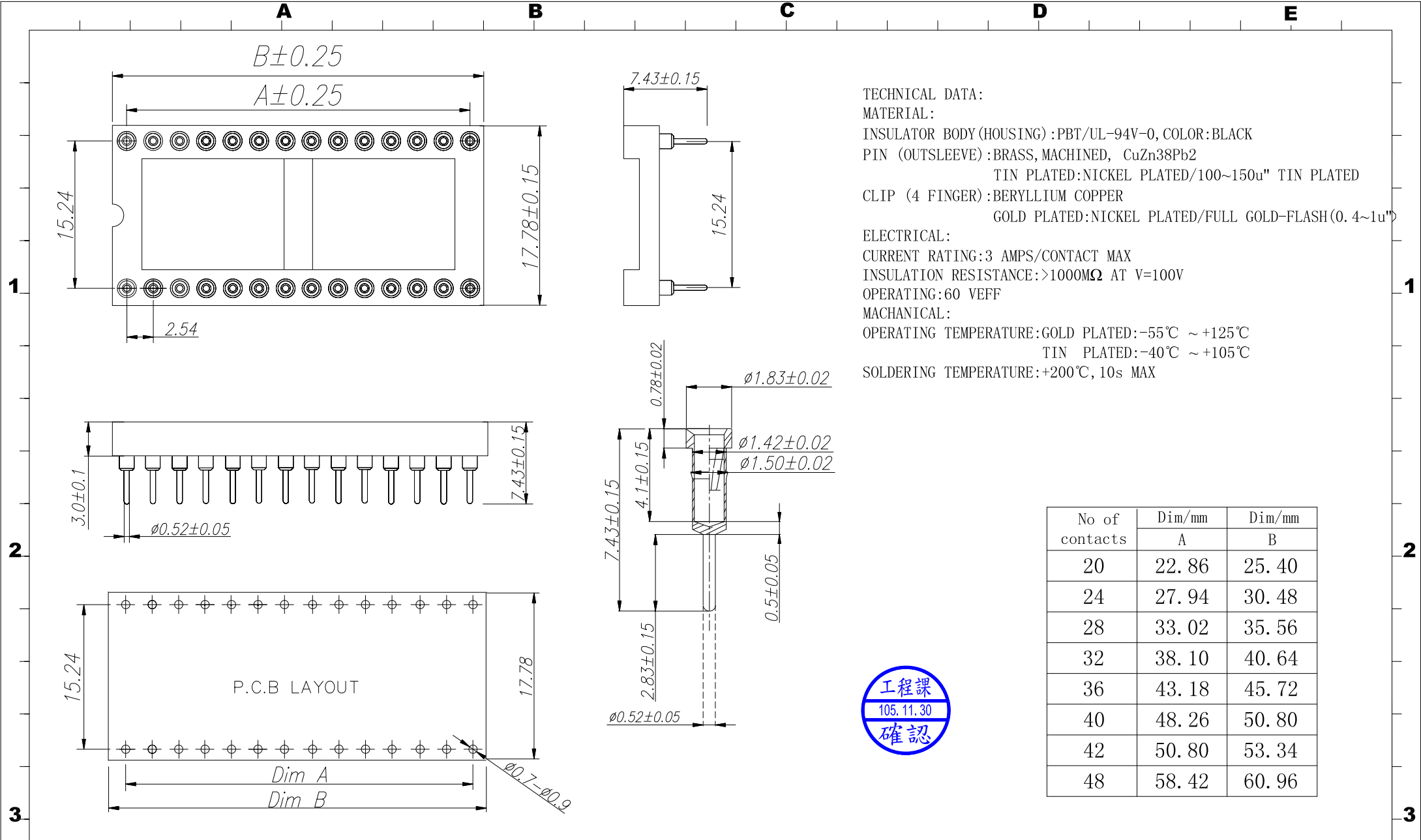
DESCRIPTION(內容)
IC SOCKET ROUND PIN 系列 (RoHS)
 PART NO:
 (料 號) **CIS254030XXR-CF787**
 DWG NO(圖號): **ISMXXT1/03**

DRAWN(製圖)
GONG
 CHECKED(確認):
TERESA
 APPROVAL(核准):
JOHNNY

GENERAL TOLERANCE:
 (公差)
 SCALE(比例):
 1:XX

REV:
R6
 UNIT:
mm
 SIZE:
A4
 SHEET:
1/1

REV	DESCRIPTION	DATE
R0	環保料 增加公差值	2006.08.31/2006.09.05
R1	補充 MATERIALS 變更料號: CIS254030XXR-CIS254030XXR-CF787	2006.09.21/2007.02.05
R2	修正公差	2008.12.04
R3	2015圖面&圖號(原:S-300)更新	2015.04.17
R4	變更PIN斜尺寸及公差	2016.03.23
R5	修正PART NO內容	2016.05.05
R6	圖面更新	2016.10.13



TECHNICAL DATA:
 MATERIAL:
 INSULATOR BODY (HOUSING) :PBT/UL-94V-0, COLOR:BLACK
 PIN (OUTSLEEVE) :BRASS, MACHINED, CuZn38Pb2
 TIN PLATED:NICKEL PLATED/100~150u" TIN PLATED
 CLIP (4 FINGER) :BERYLLIUM COPPER
 GOLD PLATED:NICKEL PLATED/FULL GOLD-FLASH(0.4~1u")
 ELECTRICAL:
 CURRENT RATING:3 AMPS/CONTACT MAX
 INSULATION RESISTANCE:>1000MΩ AT V=100V
 OPERATING:60 VEFF
 MECHANICAL:
 OPERATING TEMPERATURE:GOLD PLATED:-55°C ~ +125°C
 TIN PLATED:-40°C ~ +105°C
 SOLDERING TEMPERATURE:+200°C, 10s MAX

No of contacts	Dim/mm (公差)	
	A	B
20	22.86	25.40
24	27.94	30.48
28	33.02	35.56
32	38.10	40.64
36	43.18	45.72
40	48.26	50.80
42	50.80	53.34
48	58.42	60.96



DESCRIPTION(內容): IC SOCKET WIDTH ROUND PIN 系列 (With Bar)(RoHS) PART NO: (料 號) CIS254060XXR-CF787 DWG NO(圖號): ISMXXT1/06	DRAWN(製圖): GONG	GENERAL TOLERANCE: (公差)	REV: R3	REV	DESCRIPTION	DATE
	CHECKED(確認): TERESA		UNIT: mm			
	APPROVAL(核准): JOHNNY	SCALE(比例): 1:XX		SIZE: A4	R1 2015圖面&圖號(原:S-600)更新 2015.04.17	
				SHEET: 1/1	R2 變更PIN針尺寸及公差 2016.03.23 R3 變更Material內容 2016.11.30	

