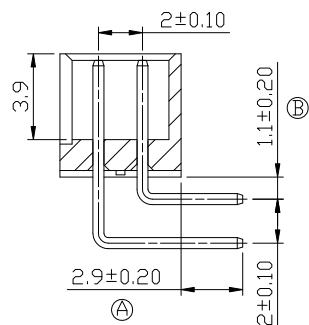
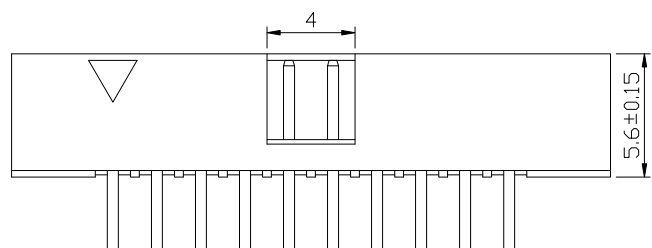
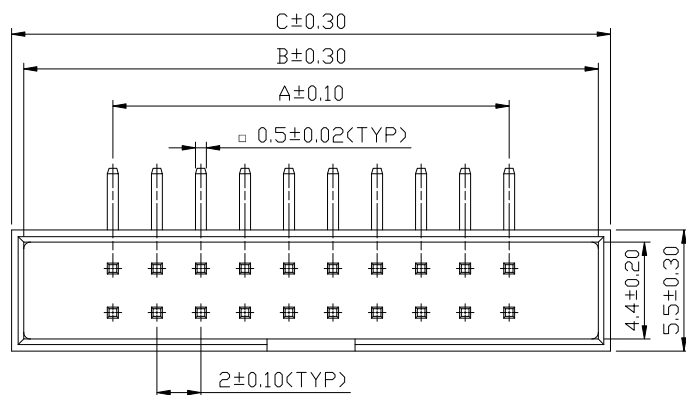


Recommended P.C.B. layout



1. SPECIFICATIONS

Current rating: 1Amp.
 Insulator resistance: 5000 Megohms min.
 Dielectric withstanding: AC 500V.
 Operating temperature: $-40^{\circ}\text{C} \sim +105^{\circ}\text{C}$.
 Max. processing: 260°C for 10 seconds.

2. MATERIAL

Contact: Copper alloy.
 Insulator: Nylon 9T, UL 94V-0.
 Color: Black.
 Finish: Gold flash all over.



No. of contacts	Part No.	Dimensions			Remark
		A	B	C	
06P	CHEB200R006-CF1043	4.0	12.1	13.2	
08P	CHEB200R008-CF1043	6.0	14.1	15.2	
10P	CHEB200R010-CF1043	8.0	16.1	17.2	
12P	CHEB200R012-CF1043	10.0	18.1	19.2	
14P	CHEB200R014-CF1043	12.0	20.1	21.2	
16P	CHEB200R016-CF1043	14.0	22.1	23.2	
18P	CHEB200R018-CF1043	16.0	24.1	25.2	
20P	CHEB200R020-CF1043	18.0	26.1	27.2	
22P	CHEB200R022-CF1043	20.0	28.1	29.2	
24P	CHEB200R024-CF1043	22.0	30.1	31.2	
26P	CHEB200R026-CF1043	24.0	32.1	33.2	
28P	CHEB200R028-CF1043	26.0	34.1	35.2	
30P	CHEB200R030-CF1043	28.0	36.1	37.2	
32P	CHEB200R032-CF1043	30.0	38.1	39.2	
34P	CHEB200R034-CF1043	32.0	40.1	41.2	
36P	CHEB200R036-CF1043	34.0	42.1	43.2	
40P	CHEB200R040-CF1043	38.0	46.1	47.2	
44P	CHEB200R044-CF1043	42.0	50.1	51.2	
50P	CHEB200R050-CF1043	48.0	56.1	57.2	
60P	CHEB200R060-CF1043	58.0	66.1	67.2	
64P	CHEB200R064-CF1043	62.0	70.1	71.2	
68P	CHEB200R068-CF1043	66.0	74.1	75.2	