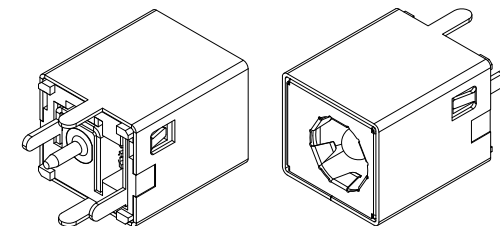
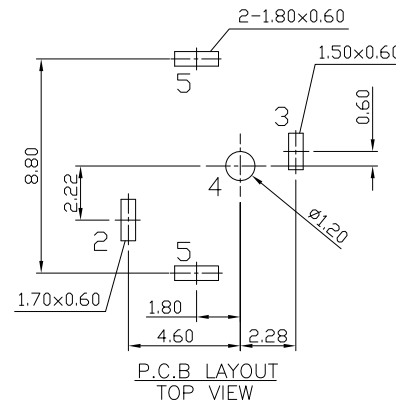
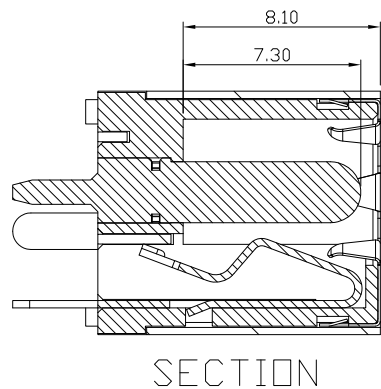
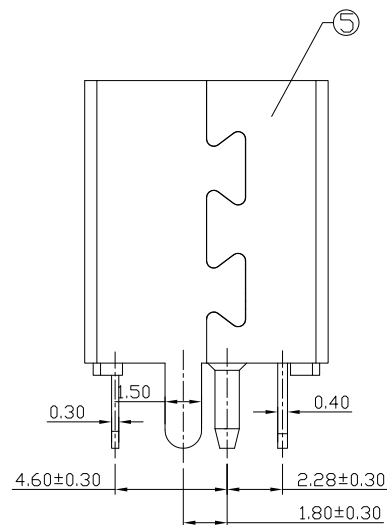


PIN	$\phi 2.00$	$\phi 2.50$	$\phi 3.00$
APPD.			

1

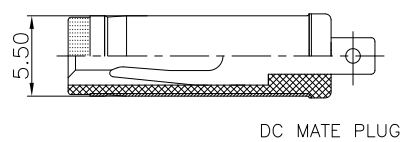
1



SPECIFICATION  
 1. Rating : DC 20V 6A;  
 2. Contact resistance :  $\leq 0.03\Omega$ ;  
 3. Insulation resistance :  $\geq 100M\Omega$  (DC250V);  
 4. Withstand voltage : 500VAC ;  
 5. Insertion and extraction force : 3-30N;  
 6. life test : 5,000 cycles.

2

2



工程課  
108.07.31  
確認

6	SPRING PIECE	1	SUS301	—	—
5	COAT	1	IRON T=0.3	—	Ni-Plating
4	PIN	1	ZINC ALLOY	—	Ni-Plating
3	CONTACT FOOT	1	BRASS T=0.4	—	Ag-Plating
2	SPRING PIECE	1	BRONZE T=0.3	—	Ag-Plating
1	HOUSING	1	PA9T	—	—
NO.	DESCRIPTION	QTY	MATERIAL	COLOR	REMARK

3

3

承洧科技股份有限公司  
Cherng Wee Technology Corp.

DESCRIPTION(內容):  
**DC POWER JACK(RoHS)**

PART NO:  
(料 號) **CDJ-D304-XXX**  
DWG NO(圖號): **DJ-D304**

DRAWN(製圖):  
**HUANG**  
CHECKED(確認):  
**TERESA**  
APPROVAL(核准):  
**JOHNNY**

GENERAL TOLERANCE:(公差)  
**REV: R1**  
UNIT:  
**mm**  
SIZE:  
**A4**  
SHEET:  
**1/1**

SCALE(比例):  
**FREE**

REV	DESCRIPTION	DATE
<b>R0</b>	RELEASE	2019.06.25
<b>R1</b>	圖面更新	2019.07.31
<b>R2</b>		
<b>R3</b>		

A

B

C

D

E

CF1165