

REFERENCE DRAWING (PLUG)

SPECIFICATION:

1. ELECTRICAL CHARACTERISTICS

1-1. CONNECTOR RATED CURRENT: 5A & 12°C Max. ΔT OVER AMBIENT.

RATED VOLTAGE: 12. 1A, 19V DC.

1-2. INSULATION RESISTANCE: 100 MOHMS Min. AT 100V DC AFTER 1 MINUTE

1-3. DIELECTRIC WITHSTANDING VOLTAGE: 150V AC FOR 1 MINUTE:

1-4. CONTACT RESISTANCE: 30 mOHMS Max.

2. MECHANICAL CHARACTERISTICS:

2-1. MATING FORCE: 0.3-3 KG/F

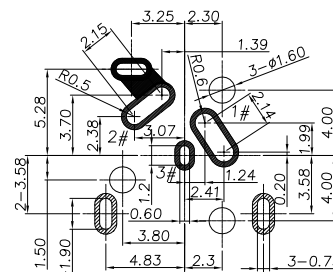
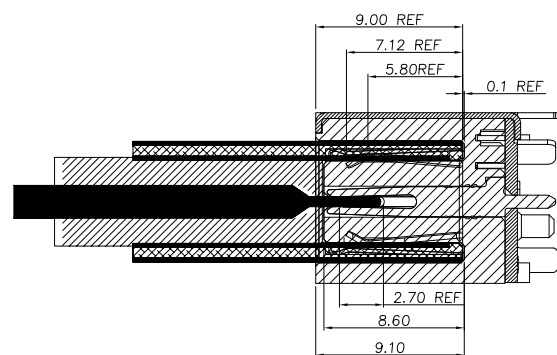
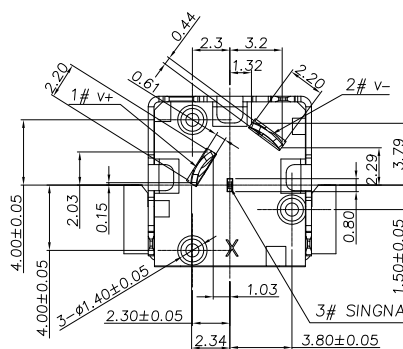
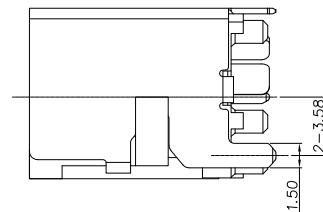
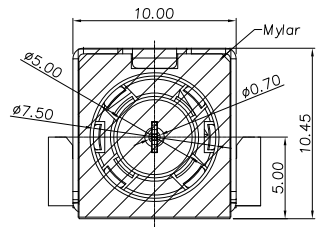
2-2. UNMATING FORCE: 0.3-3 KG/F

3. OPERATING TEMPERATURE RANGE: -40°C - 85°C

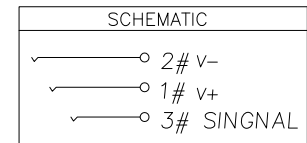
4. HUMIDITY: 85%RH Max.

5. Wave Solder 265°C, 3-5 Seconds

IR Reflow, Peak Temp 230-265°C, 20 - 90SES



RECOMMENDED P.C.B LAYOUT (TOP VIEW)
PCB THICKNESS: 1.20mm, TOLERANCE: ±0.05



NO.	DESCRIPTION	QTY	MATERIAL	COLOR	REMARK
⑥	MYLAR	1	PET	—	
⑤	HOUSING	1	PA10T	—	Black, UL 94V-0
④	SHELL	1	BRASS	—	Nickel 50u" Plating All Over
③	CONTACT 3	1	BRONZE	—	Gold Flash Plating At Contact Area;
②	CONTACT 2	1	BRONZE	—	Matte-TIN Plating At Solder Tail Area;
①	CONTACT 1	1	BRONZE	—	Nickel Under Plating All Over



DESCRIPTION(內容):
DC POWER JACK(RoHS)

PART NO:
(料 號) **CDJ-D301B-0.7**
DWG NO(圖號): **DJ-D301B**

DRAWN(製圖):
HUANG
CHECKED(確認):
TERESA
APPROVAL(核准):
JOHNNY

GENERAL TOLERANCE:(公差)
R0
UNIT:
mm
SIZE:
A4
SHEET:
1/1

REV
R0
R1
R2
R3

DESCRIPTION
RELEASE

DATE
2019.06.28