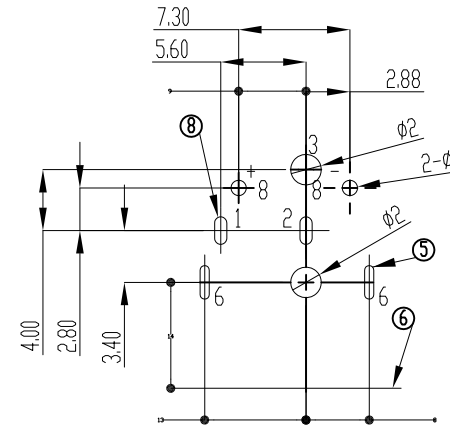
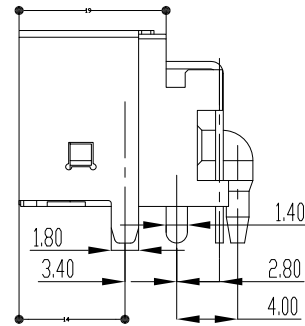
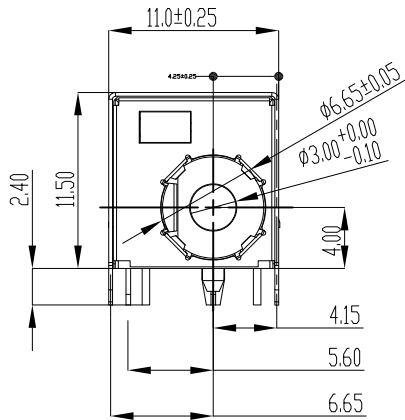
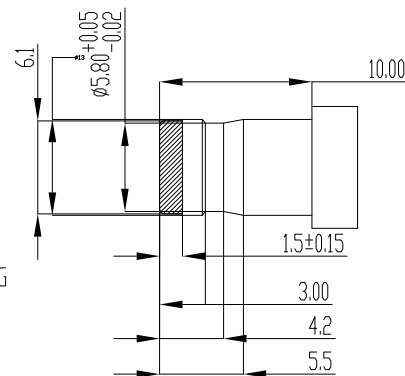
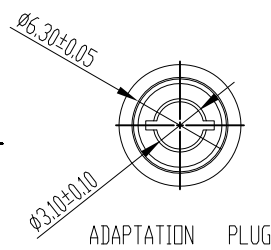
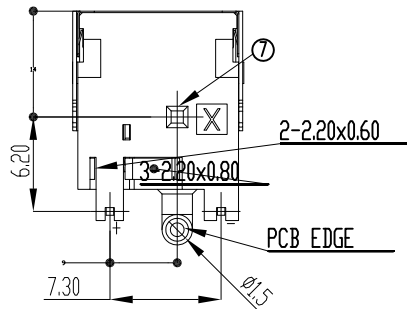
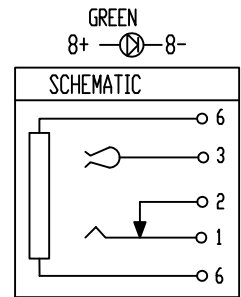


SPECIFICATION:

1. VOLTAGE RATING: 24V & 5A
2. CONTACT RESISTANCE :30m Ω (MAX)
3. INSULATION RESISTANCE :100MΩ MIN,
4. DIELECTRIC WITHSTANDING VOLTAGE:500V/AC
4. OPERATION TEMPERATURE: -25°C~+90°C
5. WITHSTAND VOLTAGE:500VAC
6. INSERTION FORCE :3.0Kgf (MAX)
7. WITHDRAWAL FORCE :2.0Kgf (MAX),
AT INITIAL:1.4Kgf(MIN) AFTER 5000 CYCLES
8. DURABILITY:5000 CYCLES
9. SOLDERING PROCES:PARTS WILL WITHSTAND 260°C/5SEC



T=1.60mm Dimensions of PC board holes
Top View Tolerance : ±0.05mm



NO.	DESCRIPTION	QTY	MATERIAL	COLOR	REMARK
8	LED	1		GREEN	571nm WAVELENGTH
7	HOUSING	1	PA9T	BLACK	UL-94V0
6	SHELL 2	1	SUS301	BLACK	MATTE Ni PLATING
5	SHELL 1	1	SUS301	BLACK	MATTE ZINC PLATING
4	TERMINAL 4	1	SUS301		
3	TERMINAL 3	1	ZINC ALLDY		Ni PLATING
2	TERMINAL 2	1	BRASS		Tin PLATING
1	TERMINAL 1	1	BRONZE		Tin PLATING