

A**B****C****D****E**

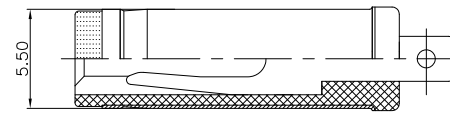
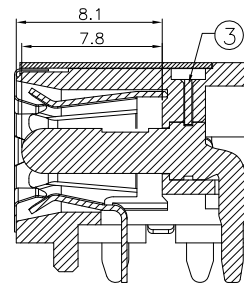
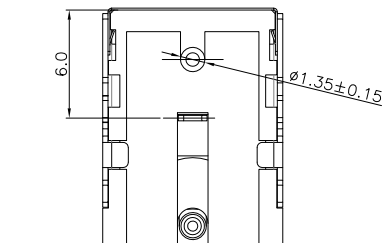
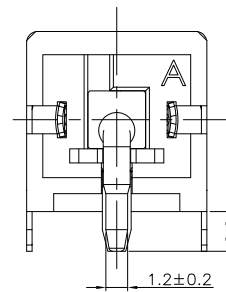
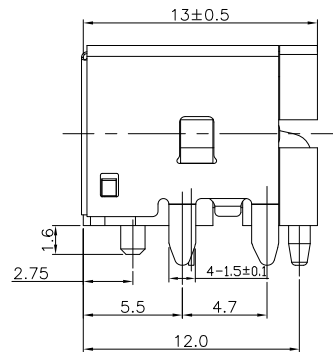
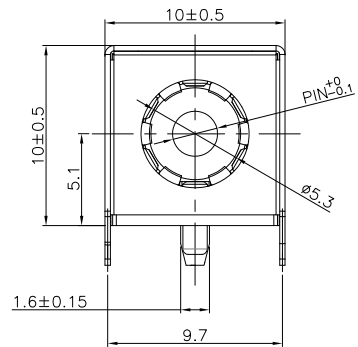
SPECIFICATIONS:

1.MECHANICAL

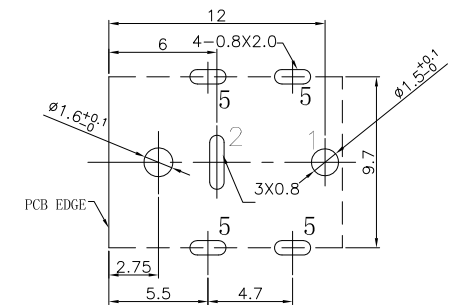
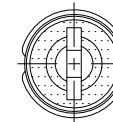
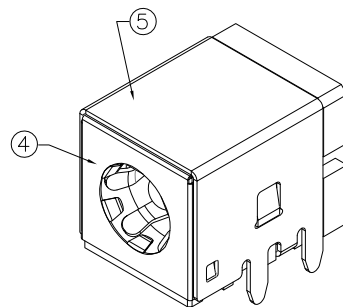
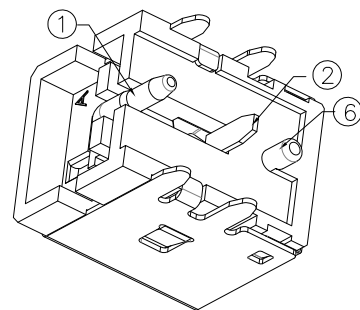
- a.INSERTION FORCE:0.3Kgs TO 3.0 Kgs
- b.EXTRACTION FORCE:0.3Kgs TO 3.0 Kgs
- c.ENDURANCE:5000 CYCLES

2.ELECTRICAL

- a.RATING:RATED VOLTAGE: 24 V DC
RATED CURRENT: 5A DC
 - b.DIELECTRIC WITHSTANDING VOLTAGE:500V AC 1 MINUTE.
 - c.INSULATION RESISTANCE:100MΩ MIN AT 500V DC.
 - d.CONTACT RESISTANCE:30 mΩ MAX
- 3.OPERATING TEMPERATURE: -25 TO +85° C .



DC MATE PLUG

T:1.6 Dimensions of PC board holes
Tolerance : ±0.05(Printed-top view)

PIN	φ2.00	φ2.45	φ2.50
APPD.			

CAT. NO.	SCHEMATIC
CDJ-D020-XXX	1
	2

NO.	DESCRIPTION	QTY	MATERIAL	COLOR	REMARK
6	HOUSING	1	PA9T	—	UL-94V0(BLACK)
5	GROUND SHIELD	1	SPCC t=0.30	—	Ni-Plating
4	SHIELD PLATE	1	SUS301 t=0.10	—	—
3	PEG	1	C2680 t=0.40	—	—
2	TIP SPRING	1	C5191 t=0.30	—	Ag-Plating
1	CENTER PIN	1	ZINC ALLOY	—	Ni-Plating

**A****B****C****D****E**