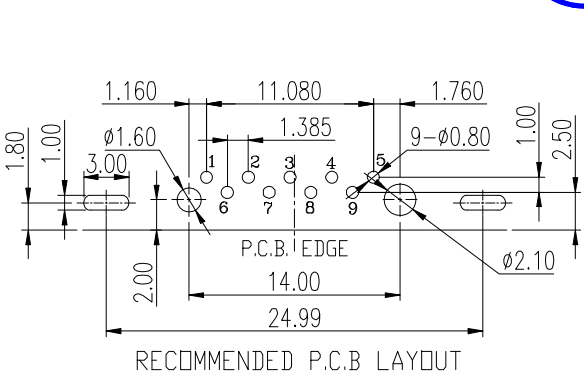
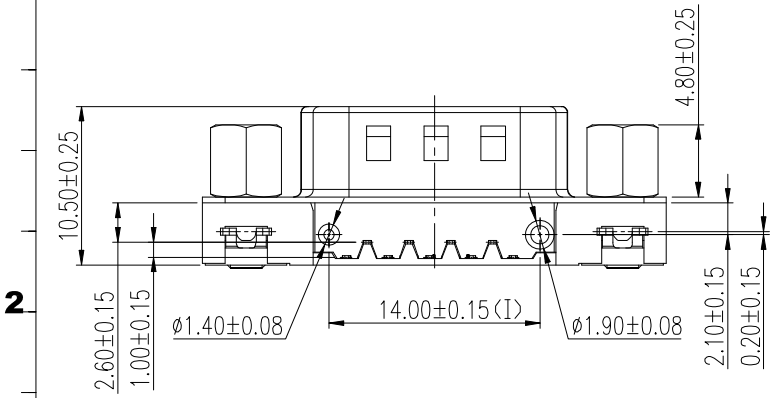


SPECIFICATIONS

1. D-SUB
- 1.1 Operation Voltage: 250 VAC(RMS) Max.
- 1.2 Current Rating: 3 Ampere per Contact
- 1.3 Contact Resistance: 25 Milliohms Max.
- 1.4 Insulation Resistance: 1000 Megohms Min.
- 1.5 Dielectric Withstanding Voltage: 500 VAC(RMS)
- 1.6 Total Mating Force: 4.0 Kgf Max.
- 1.7 Total Unmating Force: 1.0 Kgf Min.
- 1.8 Operating Temperature: -55°C to +85°C

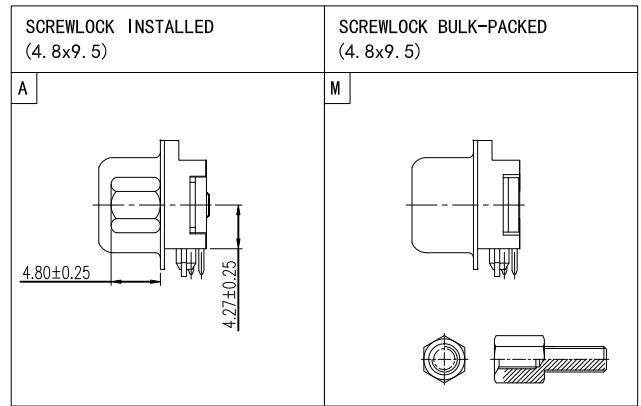
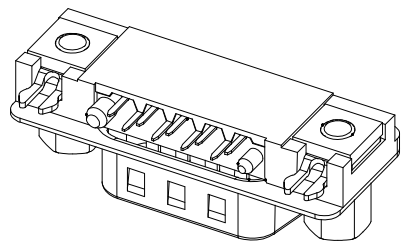
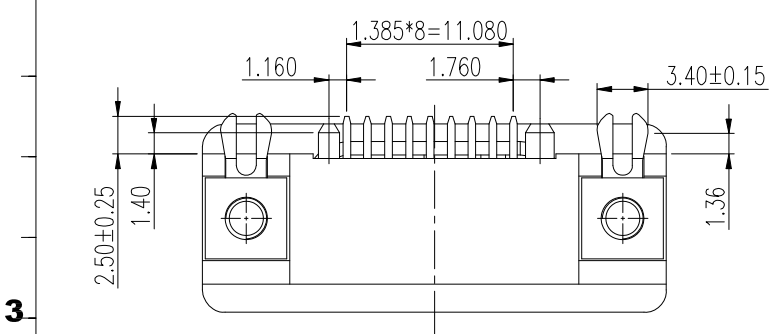
NOTES

1. MATERIAL:
 - Housing: PBT or PA9T, UL 94V-0, Color:Black.
 - Terminal: Copper Alloy.
 - Shell: SPCC.
 - Boardlock: Copper Alloy.
 - Rivet: Copper Alloy.
 - Screw: Copper Alloy.
2. FINISH:
 - Terminal: Gold Plated over Nickel at Contact Area.
Tin Plated over Nickel at Solder Ared.
 - Shell: Nickel Plated.
 - Boardlock: Tin Plated.
 - Rivet: Nickel Plated.
 - Screw: Nickel Plated.



CDB-SM4009P-2XX

- SERIES NO. _____
- NUMBER OF POSITION _____
- CONTACT STYLE _____
- BOARD MOUNTING OPTION _____
- INSULATOR MATERIALS
Standard:PBT
3-PA9T
FLANGE MOUNTING OPTION
1: #4-40 THREADED HOLE
A: #4-40 THREADED HOLE WITH #4-40UNC SCREWLOCK INSTALLED (4.8x9.5)
M: #4-40 THREADED HOLE WITH #4-40UNC SCREWLOCK BULK-PACKED (4.8x9.5)



DESCRIPTION(內容): SLIM D-SUB 9 MALE CONNECTOR DIP SOLDER, RIGHT ANGLE(RoHS)	DRAWN(製圖): GONG	GENERAL TOLERANCE: (公差) .00 ±0.25 .000 ±0.15	REV: R5	REV	DESCRIPTION	DATE
	CHECKED(確認): TERESA		UNIT: mm	R0 RELEASE R1 圖面更新 R2 新增PA9T選項 R3 圖面更新、圖號更新(原:SM40D1P1122X1XN0)		2010.07.27 2017.03.08 2017.03.14 2017.07.20
	PART NO: (料號) CDB-SM4009P-2XX	APPROVAL(核准): JOHNNY	SCALE(比例): FREE	SIZE: A4	R4 變更螺絲規格 R5 變更料號代碼	2017.07.28 2017.08.08
	DWG NO(圖號): SM40D1P1122X1XNP			SHEET: 1/1		