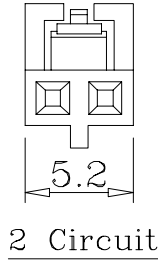
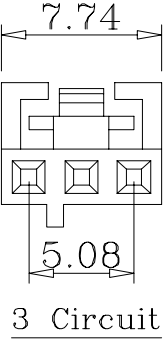
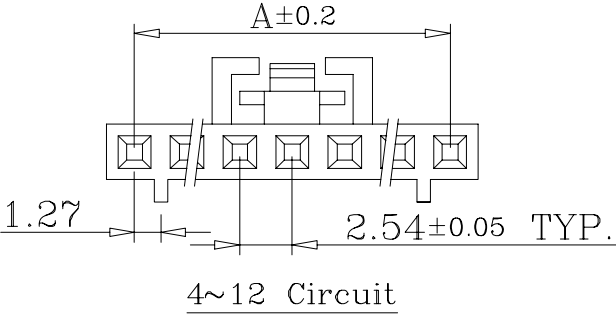
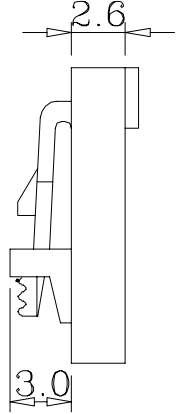
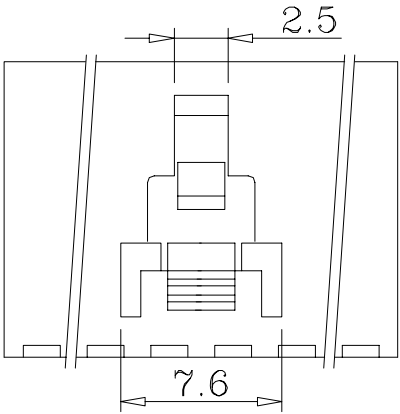
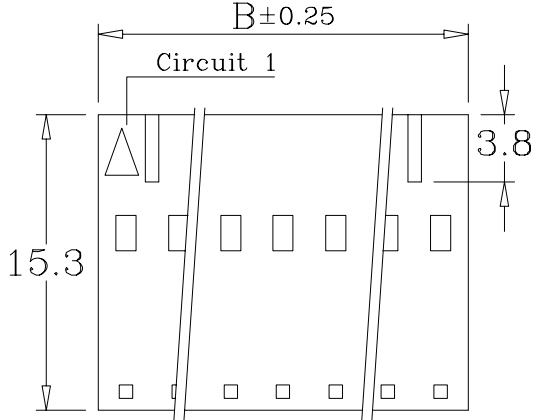


# Specifications:

- Material: PBT UL 94V-0
- Voltage Rating: 250V
- Current Rating: 3A
- Withstand Voltage: 1000V AC/Minute
- Insulation Resistance: 1000MΩ min.
- Temperature Range: -25°C~+85°C
- Contact Resistance: Initial value/10mΩ max.  
After environmental testing/20mΩ max.

## Dimensional & Ordering Information:

Circuits	Part No	Dimensions mm	
		A	B
02	CD-H2541-02	2.54	5.2
03	CD-H2541-03	5.08	7.8
04	CD-H2541-04	7.62	10.3
05	CD-H2541-05	10.16	12.9
06	CD-H2541-06	12.70	15.4
07	CD-H2541-07	15.24	18.0
08	CD-H2541-08	17.78	20.5
09	CD-H2541-09	20.32	23.1
10	CD-H2541-10	22.86	25.6
11	CD-H2541-11	25.40	28.1
12	CD-H2541-12	27.94	30.7
13	CD-H2541-13	30.48	33.2
14	CD-H2541-14	33.02	35.8
15	CD-H2541-15	35.54	38.3
16	CD-H2541-16	38.10	40.9
17	CD-H2541-17	40.64	43.4
18	CD-H2541-18	43.18	46.0
19	CD-H2541-19	45.72	48.5
10	CD-H2541-10	48.26	51.1
21	CD-H2541-21	50.80	53.6
22	CD-H2541-22	53.34	56.2
23	CD-H2541-23	55.88	58.7
24	CD-H2541-24	58.42	61.2
25	CD-H2541-25	60.96	63.8




**承洧科技股份有限公司**  
**Cherg Wee Technology Corp.**

**DESCRIPTION(內容):**  
 MOX 2.54mm Housing  
 超薄 有Lock (RoHS)

**PART NO:**  
 (料號) **CD-H2541-XXT**

**DWG NO(圖號):** 2545-H

**DRAWN(製圖):**  
**GONG**

**CHECKED(確認):**  
**TERESA**

**APPROVAL(核准):**  
**JOHNNY**

**GENERAL TOLERANCE:**  
 (公差)

.0 ± 0.25  
 .00 ± 0.15

**SCALE(比例):**  
**FREE**

**REV:**  
**R3**

**UNIT:**  
**mm**

**SIZE:**  
**A4**

**SHEET:**  
**1/1**

REV	DESCRIPTION	DATE
R0	環保料	2006.11.08
R1	修改接觸阻抗單位	2006.11.18
R2	2014年8月料號P數編碼統一兩碼	2015.12.10
R3	圖面更新	2016.01.06