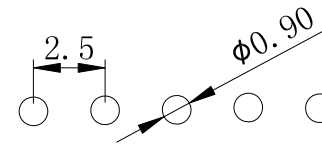
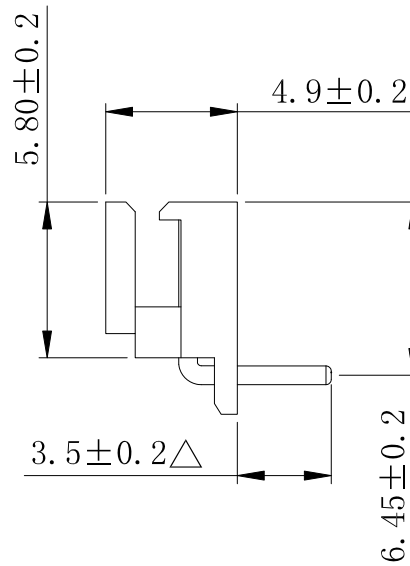
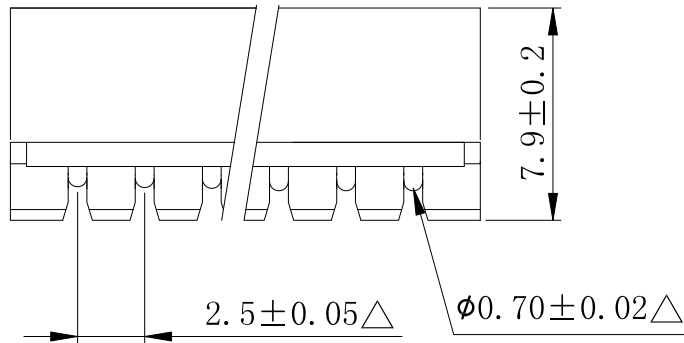


SPECIFICATIONS

Current rating	: 3A AC, DC
Voltage rating	: 250V AC, DC
Temperature range	: -25°C ~ +85°C
Contact resistance	: 20mΩMax
Insulation resistance	: 1000MΩMin
Withstanding voltage	: 1000 V AC/minute
Pin Material	: Brass
Finished	: Tin-plated
Housing Material	: Nylon-66, UL94 V-0
Color	: Beige



P. C. B Hole Layout

Circuits	Dimension mm	
	A	B
02PIN	2.50	7.50
03PIN	5.00	10.00
04PIN	7.50	12.50
05PIN	10.00	15.00
06PIN	12.50	17.50
07PIN	15.00	20.00
08PIN	17.50	22.50
09PIN	20.00	25.00
10PIN	22.50	27.50
11PIN	25.00	30.00
12PIN	27.50	32.50
13PIN	30.00	35.00
14PIN	32.50	37.50
15PIN	35.00	40.00
16PIN	37.50	42.50



DESCRIPTION(描述):  
**2.5mm Pin Wafer 90°φ0.7mm (RoHS)**

DRAWN(圖者): 周立軍

GENERAL TOLERANCE: (公差)

REV: A/2

REV

DESCRIPTION

DATE

CHECKED(校核): 周立軍

.0 ±0.20  
.00 ±0.15

UNIT: mm

1

△此符號表示重點管控尺寸

2007.08.03

PART NO: (料號) CB-W250R-XX

APPROVAL(核准): 鄧文廣

SCALE(比例): 1:XX

SHEET: 1/2

3

尺寸3.5±0.15改為3.5±0.2

2007.08.23

DWG NO(圖號):

A

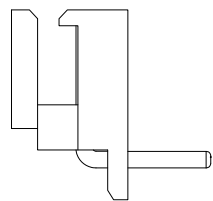
B

C

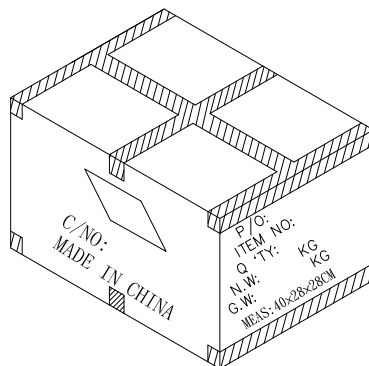
D

E

1. 紙箱規格：400\*280\*280mm (單重:620g).
2. 封箱方式 (看上圖所示)：外箱四周使用透明的封箱膠帶封住,並封成王字型.
3. 紙箱上面一定要寫數量、毛重和淨重.



(產品)



Part No:	
Description:	
Quantity:	
Date:	

承洧料號  
品名規格  
數量  
日期

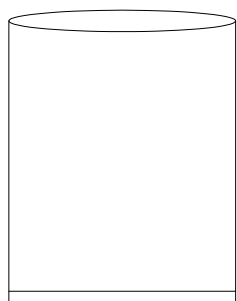


1

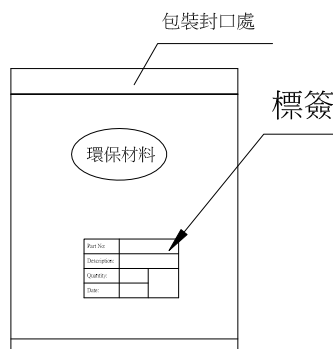
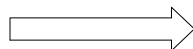
1

2

2



(PE 袋)



PIN數	包材規格	每袋數量	單重/g	干燥劑數量/pcs
1X02	18X20	1000/PCS	0.19462	1
1X03	18X25	1000/PCS	0.29193	1
1X04	20X28	1000/PCS	0.38924	1
1X05	20X28	1000/PCS	0.48655	1
1X06	20X28	1000/PCS	0.58386	1
1X07	25X40	1000/PCS	0.68117	1
1X08	25X40	1000/PCS	0.77848	1
1X09	25X40	1000/PCS	0.87579	1
1X10	25X40	1000/PCS	0.97310	2
1X11	20X28	500/PCS	1.07041	2
1X12	25X30	500/PCS	1.16772	2
1X13	25X30	500/PCS	1.26503	2
1X14	25X30	500/PCS	1.36234	2
1X15	25X30	500/PCS	1.45965	2
1X16	25X30	500/PCS	1.55966	2

3

3



DESCRIPTION(內容):

**2.5mm Pin Wafer 90°φ0.7mm  
(RoHS)**

PART NO:  
(料號) **CB-W250R-XX (包裝圖)**

DWG NO(圖號):

DRAWN(製圖):  
陳雙軍

CHECKED(確認):  
黃炳秋

APPROVAL(核准):  
鄧文廣

GENERAL TOLERANCE:  
(公差)

.X .XXXX  
.XX .X °  
.XXX .XX °

SCALE(比例):  
1:XX



REV:  
**A/2**

UNIT:  
mm

SIZE:  
**A4**

SHEET:  
**2/2**

REV

1

2

3

4

DESCRIPTION

修改PE袋規格

DATE

2007.10.25

2008.05.21

A

B

C

D

E

FILE NO: CWJ-4E-09