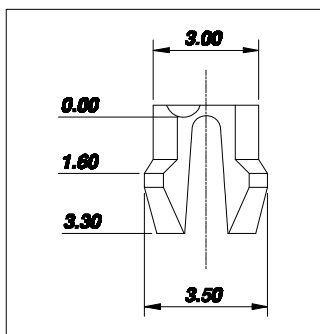


**PCB LAYOUT  
(Top View)**



**SPECIFICATION**

**1. Electrical char:**

Insulation Resistance: 500M-Ohm Min. 500V DC. for 1 minute.  
 Contact Resistance : 30milli-Ohm Max.  
 Rating Current : 1.5A Max.  
 Rating Voltage : 150V AC.  
 Dielectric Voltage : 1000 Vrms at 1MA 60 Sec. Min.

**2. Physical char:**

Housing: For Waving Soldering Process  
 PBT Glass Filled (UL 94V-0),  
 Soldering Temperature: 245°C for 5 Sec.  
 Color: Black Color  
 Spring Wire:  
 0.35mm Thickness Phosphor bronze Gold Plating Over Nickel.  
 Shielded: Brass Plating Nickel  
 Temperature Range: -40°C ~ +85°C.  
 Durability: 750 Mating cycles Min.



**CAJ-115SH-2A-F-X-B1-N4-XX**

NUMBER OF PORT

F=8P8C

LED2  
G=Green  
Y=Yellow

Gold plated 1=15u, 2=30u, 3=50u, 4=6 u,

LED1  
G=Green  
Y=Yellow



DESCRIPTION(内容): RJ45 Side Entry Shielded Jack With LED (RoHS)	DRAWN(製圖): GONG
PART NO: (料號) CAJ-115SH-2A-F-X-B1-N4-XX	CHECKED(確認): TERESA
DWG NO(圖號): AJ-115SH-2A-F-XX-B1-N4-XX	APPROVAL(核准): JOHNNY

GENERAL TOLERANCE: (公差)	REV: R0
. XX ±0.25	UNIT: mm
. XXX ±0.15	SIZE: A4
SCALE(比例): FREE	SHEET: 1/1

REV	DESCRIPTION	DATE
R0		2017.08.15
R1		
R2		
R3		