

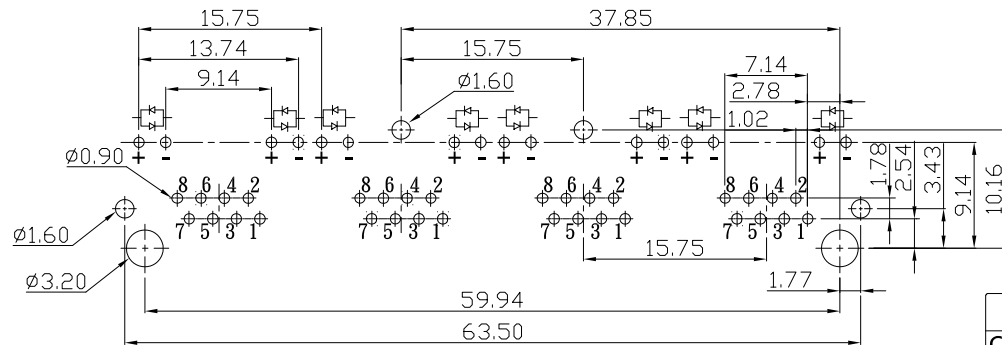
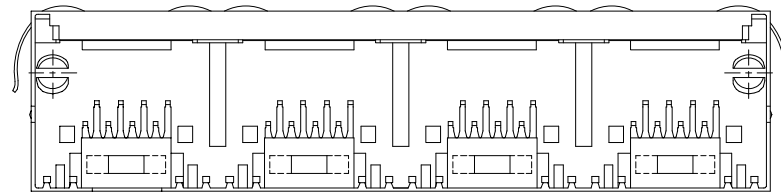
SPECIFICATION:

1. Electrical Char.

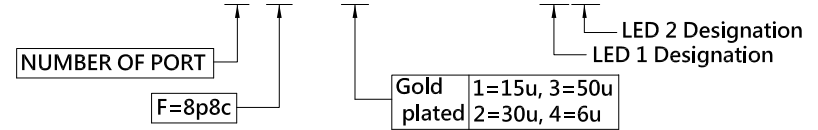
Insulation Resistance : 500M-Ohm Min. 500V DC. for 1 minute.
 Contact Resistance : 30milli-Ohm Max.
 Rating Current : 1.5A Max.
 Rating Voltage : 150V AC.
 Dielectric Voltage : 1,000 Vrms at 1MA 60 Sec. Min.

2. Physical Char.

Housing : For Waving Soldering Process
 Nylon(UL 94V-0),Soldering Temperature:260°C for 5 Sec.
 Color : Black
 Spring Wire : 0.35mm Thickness Phosphor bronze Gold Plating Over Nickel
 Shielded : Brass Plating Nickel
 Temperature Range : -40°C/+85°C
 Durability : 750 Mating cycles Min.



CAJ-111SH-4-F-RX-B4-N7-XX



PCB LAYOUT (TOP View)

LED Designation:					
Code	Forward	Reverse	Code	Forward	Reverse
G	Green	---	4	Yellow	Red
Y	Yellow	---	5	Green	Yellow
R	Red	---	6	Yellow	Green
O	Orange	---	9	Red	Green
3	Green	Red	0	Red	Yellow

Cherng Weei Technology Corp.

TITLE

RJ45 Side Entry Shielded Ganged Jack With LED (RoHS)

MODULAR JACKS ASSY FOR
CAJ-111SH-4-F-RX-B4-N7-XX

SCALE SIZE DWG. NO. 9811 SERIES

DWG. NO.
AJ-111SH-4-F-RX-B4-N7-XX

NOT SCALED DRAWING	TOLERANCE UNLESS OTHERWISE NOTICE	INCH	MM	DR.	DATE
THIRD ANGLE PROJECTION	LINEAR $\frac{MM}{INCH}$	00±0.01 000±0.005 0000±0.002	00±0.25 000±0.13 0000±0.05	CK'D	
CF313C(T)/20141126	ANGLE+0°30'	RADII	+0.45 -0.15	APP'D	