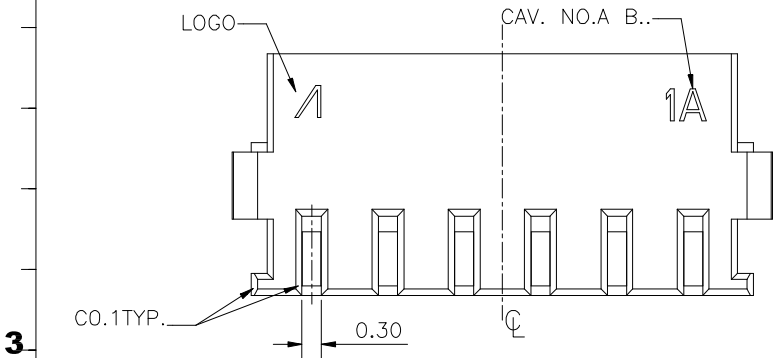
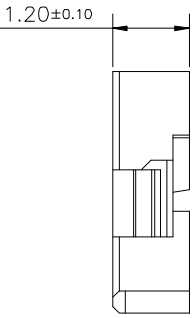
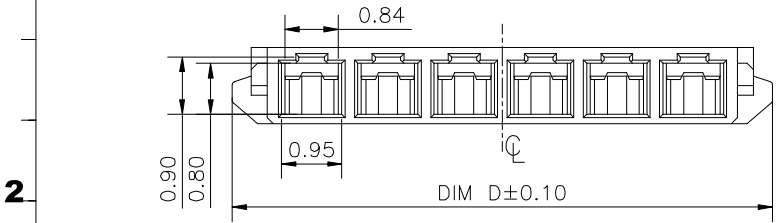


NOTES
 MATERIAL: HALOGEN FREE, NYLON66, UL94V-0,
 COLOR: BLACK.



CKT	DIM: (mm)			
	A	B	C	D
02	1.2	3.1	2.6	3.7
03	2.4	4.3	3.8	4.9
04	3.6	5.5	5.0	6.1
05	4.8	6.7	6.2	7.3
06	6.0	7.9	7.4	8.5
07	7.2	9.1	8.6	9.7
08	8.4	10.3	9.8	10.9
09	9.6	11.5	11.0	12.1
10	10.8	12.7	12.2	13.3



DESCRIPTION(內容):
1.20mm WTB CONN. HOUSING (RoHS)
PART NO: CACH-H12-XX-CF592
DWG NO(圖號): 50270-XXXH0H1-005

DRAWN(製圖): Shih
CHECKED(確認): MANDY
APPROVAL(核准): JOHNNY

GENERAL TOLERANCE:
 (公差) X. ±0.5
 .X ±0.25
 .XX ±0.15
 .XXX ±0.1
 ANG. ±2°

SCALE(比例): FREE

REV: R2
UNIT: mm
SIZE: A4
SHEET: 1/1

REV	DESCRIPTION	DATE
R0	RELEASE	2011.10.21
R1	2014年料號Pin數編碼統一	2014.10.13
R2	圖面更新及圖號修改	2019.05.17
R3		