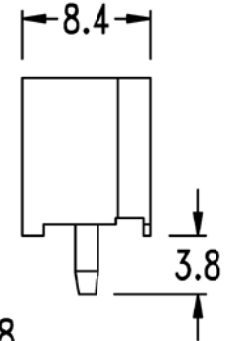
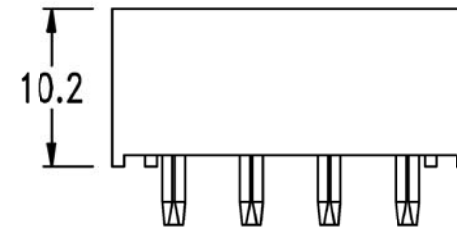
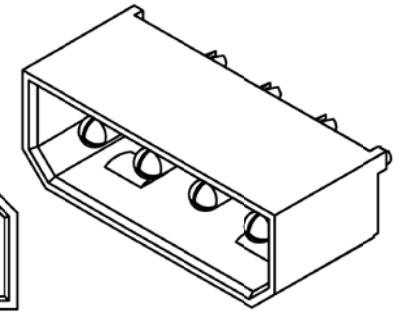
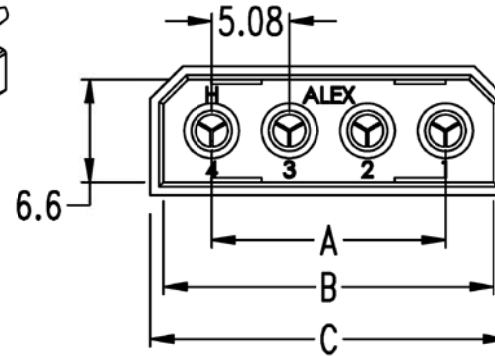
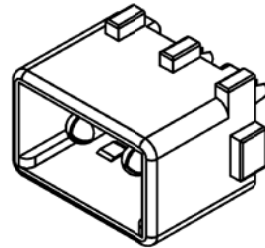
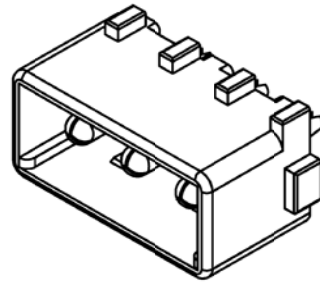


Features:

- 2 ~ 4 circuits available
- Plastic material: UL 94V-2 nylon 66
- Pin material: Tin-plated phosphor bronze

Specification:

- Current rating: 10A
- Voltage rating: 250V AC
- Dielectric withstanding voltage: 1500V AC/minute
- Ambient temperature range: -40°C ~ 105°C



P. C. board hole dimensions



Dimensional Information (mm)

Circuits	Dim. A	Dim. B	Dim. C	Circuits	Dim. A	Dim. B	Dim. C	Circuits	Dim. A	Dim. B	Dim. C
02	5.08	11.38	13.08	03	10.16	16.46	18.16	04	15.24	21.70	23.40